



## Waterproof EcoMax G2

- Waterproof luminaire in "sealed-for-life" concept
- Quick installation through the easy to open endcap
- Supplied with vandal-proof stainless steel ceiling and suspension clips
- Equipped with 3x25mm<sup>2</sup> throughwiring



## Specifications

Item Code	Item Description	Equivalent to (W)	Power (W)	Lumen	Efficacy (lm/W)	CCT (K)	Weight (kg/pc)
On-Off							
543022012300	LEDWaterproof-E2 L1260-37W-4000	TL 2x36W	37	4810	130	4000	0.99

## Packaging Information

Item			Box			
Item Code	Item Description	EU HS Code	Dimensions (mm) (LxWxH)	Gross Weight (kg)	EAN	pc/box
543022012300	LEDWaterproof-E2 L1260-37W-4000	94051190	1300x67x61	1.28	6941408818467	1
506005001900	LEDWaterproof-E2-Mounting Kit	73269098	450x240x180	0.08	6941408831220	1

### Technical Specifications

Lifetime (L70)	50,000 h
Lifetime (L80)	30,000 h
On-/Off-cycles	100,000
Colour consistency (SDCM)	4
Dimmability	On-Off
Beam angle	120°
Finishing	Grey RAL 7035
Colour rendering index (CRI)	≥ 80
Degree of protection (IP)	IP66
Impact strength	IK08
Protection class	II
Risk group (EN 62471)	RG0
With control gear	Yes
Glow wire test	850°C
Power factor	≥ 0.9
Input wire diameter	1mm <sup>2</sup> - 2.5mm <sup>2</sup>
Internal wiring (mm <sup>2</sup> )	3x2.5
Max. input cable diameter (mm)	7-11.5 mm

### Electrical Supply

Frequency	50/60 Hz
Nominal voltage	220-240 V
DC input voltage	No

### Mechanical Properties

Material housing	Polycarbonate
UV resistant	Yes
Optical material	Polycarbonate
Mounting clips	Stainless steel

### Ambient Conditions

Operating temperature	-20-+45°C
Application temperature	+25°C
Storage environment	-30-+50°C



**ENERGY**

OPPLE Lighting  
543022012300

A	▶
B	▶
C	▶
D	▶
E	▶
F	▶
G	▶

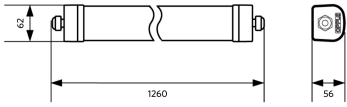
**E** ◀

**37**  
kWh/1000h

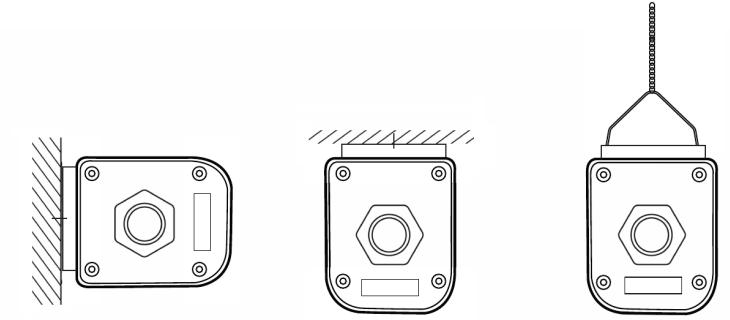
2019/2015

## Dimensional Drawing (mm)

LEDWaterproof-E2 L1260



## Installation Possibilities



## Photometric Data

