



Post Top

- Professional post-top solution with optimal light performance
- Integrates well into existing landscape
- Different optics to suit the application and reduce glare
- Die casted aluminium body for optimal heat dissipation
- IP66 and suitable for use on coastal applications



Specifications

| Item Code | Item Description | Equivalent to (W) | Power (W) | Lumen | Efficacy (lm/W) | CCT (K) | Beam angle | Compatible pole Ø (mm) | Weight (kg/pc) |
|--------------|--------------------------|-------------------|-----------|-------|-----------------|---------|------------|------------------------|----------------|
| 543016006300 | LEDPostTop-P 33W-4000-AS | HID 50W | 33 | 4100 | 125 | 4000 | 50° x 150° | 60 mm | 7.68 |

Accessories



599000004600
LEDStreet-SE-ExtensionCable-6m

Packaging Information

| Item | | | Box | | | |
|--------------|--------------------------------|------------|-------------------------|-------------------|---------------|--------|
| Item Code | Item Description | EU HS Code | Dimensions (mm) (LxWxH) | Gross Weight (kg) | EAN | pc/box |
| 543016006300 | LEDPostTop-P 33W-4000-AS | 94054239 | 530x530x285 | 9.40 | 6941408854854 | 1 |
| 599000004600 | LEDStreet-SE-ExtensionCable-6m | 85444290 | 100x60x350 | 0.68 | 6956321815370 | 1 |

| Technical Specifications | |
|------------------------------|----------------|
| Lifetime (L70) | 100,000 h |
| Lifetime (L80) | 70,000 h |
| On-/Off-cycles | 100,000 |
| Colour consistency (SDCM) | 5 |
| Dimmability | On-Off |
| Finishing | Grey RAL 870-3 |
| Colour rendering index (CRI) | > 70 |
| Degree of protection (IP) | IP66 |
| Impact strength | IK08 |
| Protection class | I |
| Risk group (EN 62471) | RG0 |
| With control gear | Yes |
| Glow wire test | 850°C |
| Power factor | ≥ 0.9 |
| Surge protection | 10 kV |

| Electrical Supply | |
|-------------------|--|
| Frequency | 50/60 Hz |
| Nominal voltage | 220-240 V |
| DC input voltage | See catalogue appendix Connection Specifications |

| Mechanical Properties | |
|-----------------------|----------------------|
| Housing material | Aluminum |
| Optical material | Polycarbonate |
| Cover material | Tempered glass |
| Effective wind area | 1590 cm ² |
| Coastal proof | Yes |

| Ambient Conditions | |
|-------------------------|-----------|
| Operating temperature | -30-+50°C |
| Application temperature | +25°C |
| Storage environment | -40-+60°C |



OPPLE Lighting
543016006300

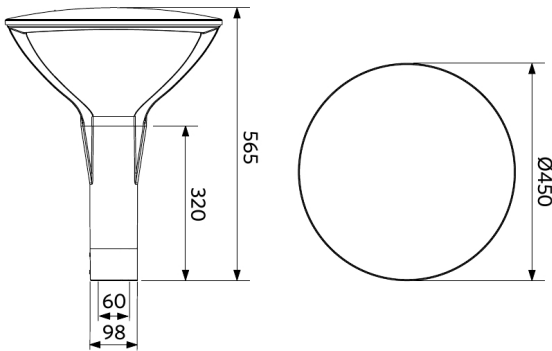
| | |
|---|---|
| A | ▶ |
| B | ▶ |
| C | ▶ |
| D | ▶ |
| E | ▶ |
| F | ▶ |
| G | ▶ |

33
kWh/1000h

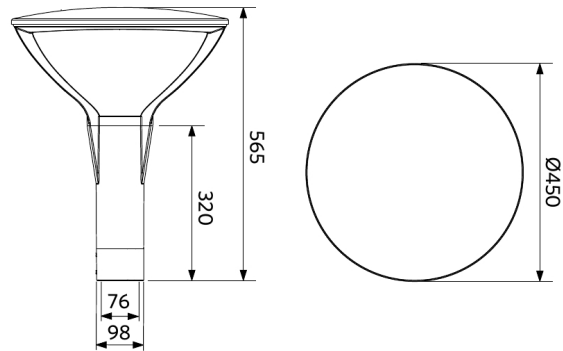
2019/2015

Dimensional Drawing (mm)

LEDPostTop-P
D60



LEDPostTop-P
D76



Photometric Data

