



- Completely wireless operating panel for use in OPPLE Smart Lighting Systems
- Simple on/off switching and dimming of the Smart Lighting luminaires
- Equipped with 4 extra button activate created light scenes
- Compatible with OPPLE Smart Sensors
- Extremely simple to set with the OPPLE Smart Lighting App or Smart Web Interface
- Wireless communication through Bluetooth® Low Energy (BLE)

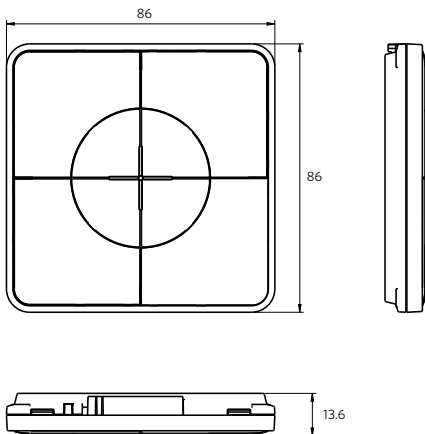


Specifications

Item Code	Item Description
140063564	LEDSmartlight-Switch

Dimensional drawing (mm)

140063564 - LEDSmartlight-Switch



Can be installed using the supplied screws or affixing strips, or directly to the wall outlet.

Technical Specifications	
IP-class	IP20
IK-class	IK02
Finishing	White RAL9003
Communication	Opplé Bluetooth® Low Energy Mesh

Electrical Supply	
Nominal voltage	3
Type of battery	CR2430
Min. lifespan battery	2 years

Mechanical Properties	
Material housing	PC

