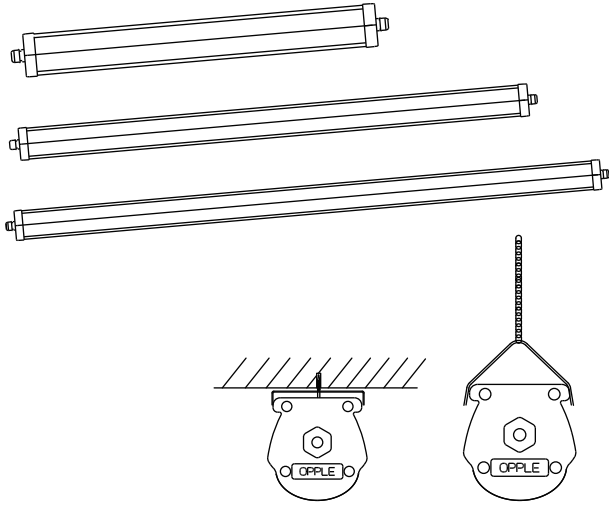
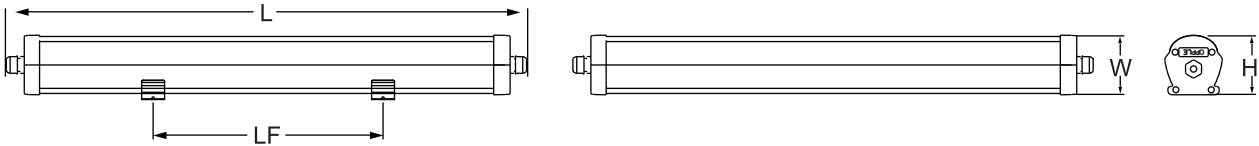


LED Waterproof

OPPLE

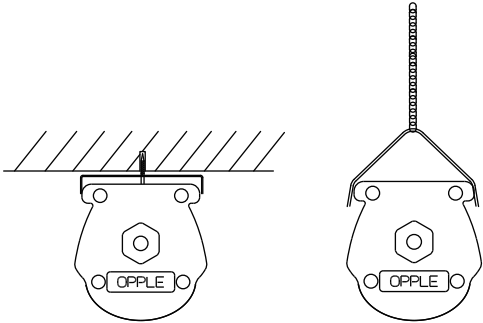
Version date 24-07-2017
www.opple.com

Item Code	CCT	kg
140057864	4000K	0.885kg
140057865	4000K	0.925kg
140057866	4000K	1.435kg
140057867	4000K	1.465kg
140057868	4000K	1.705kg
140057869	4000K	1.73kg
140058166	6500K	1.73kg

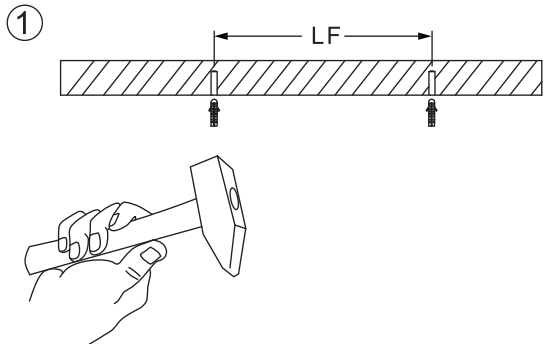



Model	L (mm)	W (mm)	H (mm)	LF (mm)	Rated Voltage	Frequency	Rated Power	External wire diameter : 1.5mm ² Max. number of connected luminaires	External wire diameter : 2.5mm ² Max. number of connected luminaires
LED WP-P2 L653-12.5W	685	80	82	300	220-240V	50/60Hz	12.5W	20	40
LED WP-P2 L653-23W	685	80	82	300	220-240V	50/60Hz	23W	15	30
LED WP-P2 L1263-23W	1290	80	82	600	220-240V	50/60Hz	23W	15	30
LED WP-P2 L1263-40W	1290	80	82	600	220-240V	50/60Hz	40W	10	20
LED WP-P2 L1563-27W	1590	80	82	750	220-240V	50/60Hz	27W	15	30
LED WP-P2 L1563-51W	1590	80	82	750	220-240V	50/60Hz	51W	10	20

Installation



Surface Mounting Suspension Mounting



Model	LF(mm)
LED WP-P2 L653-12.5W	300
LED WP-P2 L653-23W	300
LED WP-P2 L1263-23W	600
LED WP-P2 L1263-40W	600
LED WP-P2 L1563-27W	750
LED WP-P2 L1563-51W	750

