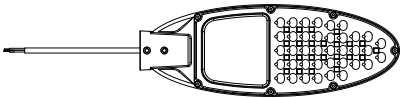
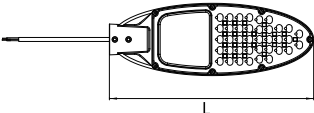
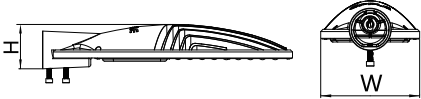


# LED Streetlight

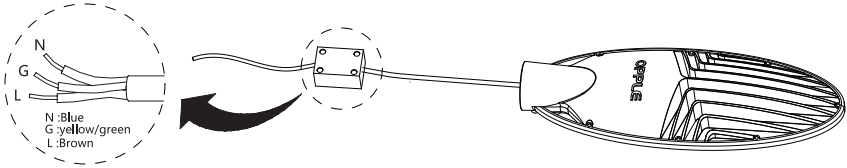
Item Code	CCT	kg
140065922	4000K	1.25kg
140066385	4000K	1.25kg

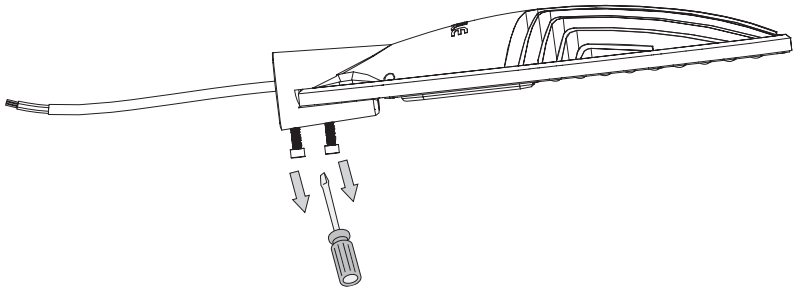
Model	L (mm)	W (mm)	H (mm)
LED SL-SE 20W	373	132	66
LED SL-SE 40W	373	132	66

The effective wind area :38500mm<sup>2</sup>

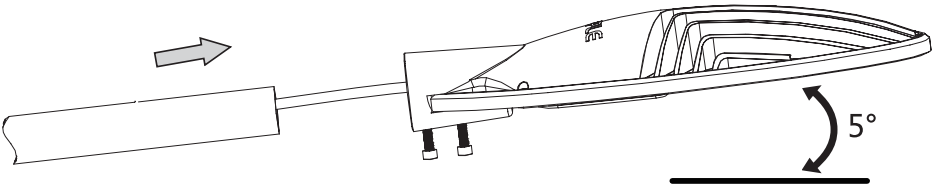
① Additional IP65 waterproof connection box (NOT included in packaging ) is necessary for power connection to ensure the waterproof performance and safety. The connection box and terminal block in it should conform to EN60598-2-1 or EN 60598-2-2 ( Purchase separately).



②

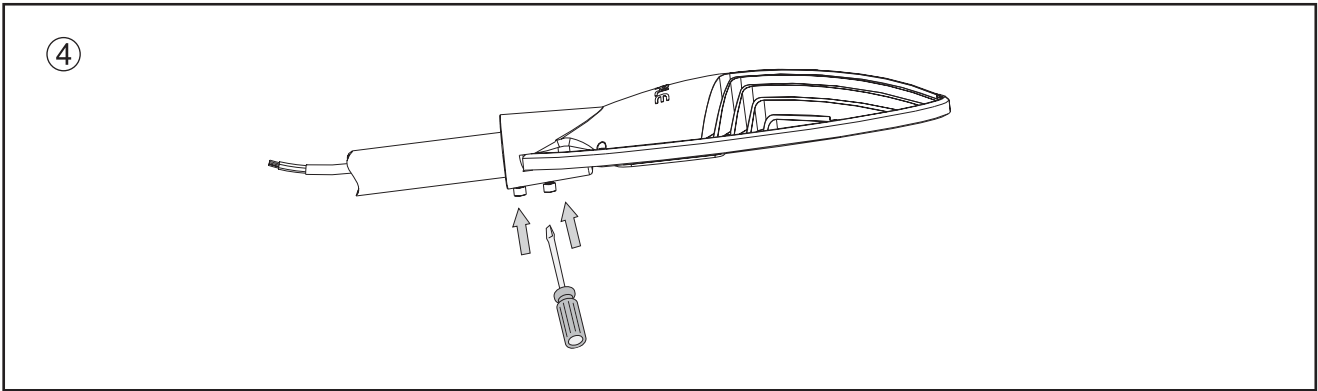


③



POLE:  $\Phi 28 \sim 40\text{mm}$

5°

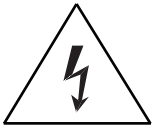


In case of damage to the wire, it has to be replaced only by the manufacturer, distributor or by an expert, to avoid risks.

Caution: Any operation on LED module is forbidden while power-on.

Zur Vermeidung von Risiken müssen defekte Leitungen ausschließlich vom Hersteller, Inverkehrbringer oder Fachmann ausgetauscht werden.

Achtung: In Betrieb ist keine Arbeit am LED-Modul erlaubt.



For non-user replaceable light sources.

The light source contained in this luminaire shall only be replaced by the manufacturer or his service agent or a similar qualified person.

