


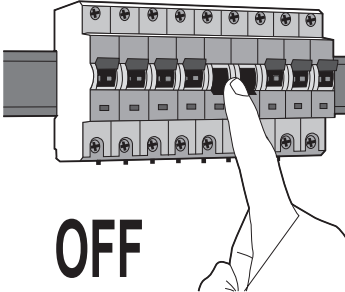
High Power Bulb

Version date 15-05-2017
www.opple.com

Art. Code	Family Name	
140062577	HPB	1.890

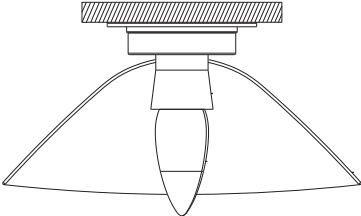
Retrofit

①



OFF

②

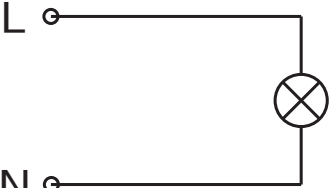


Remove traditional lighting source from E40 lamp holder

③

Direct 220V~240V

Direct wiring circuit diagram of a retrofitted luminaire

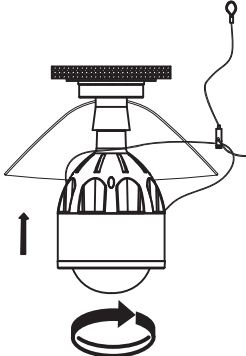


L

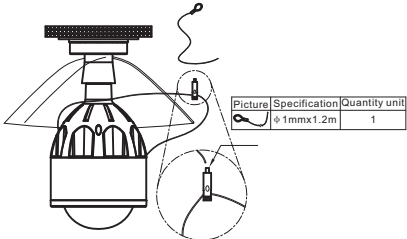
N


Built in control gears must not remain connected after rewiring

④

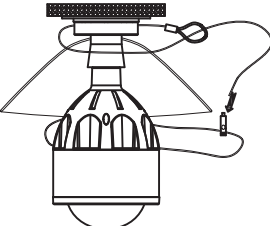


⑤

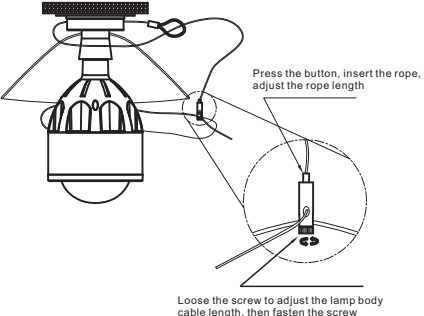


Picture	Specification	Quantity	unit
	φ 1mmx1.2m	1	

⑥



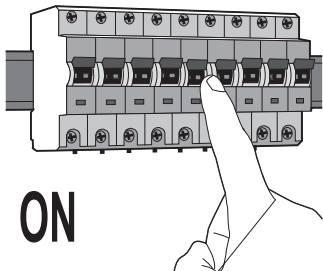
⑦



Press the button, insert the rope, adjust the rope length

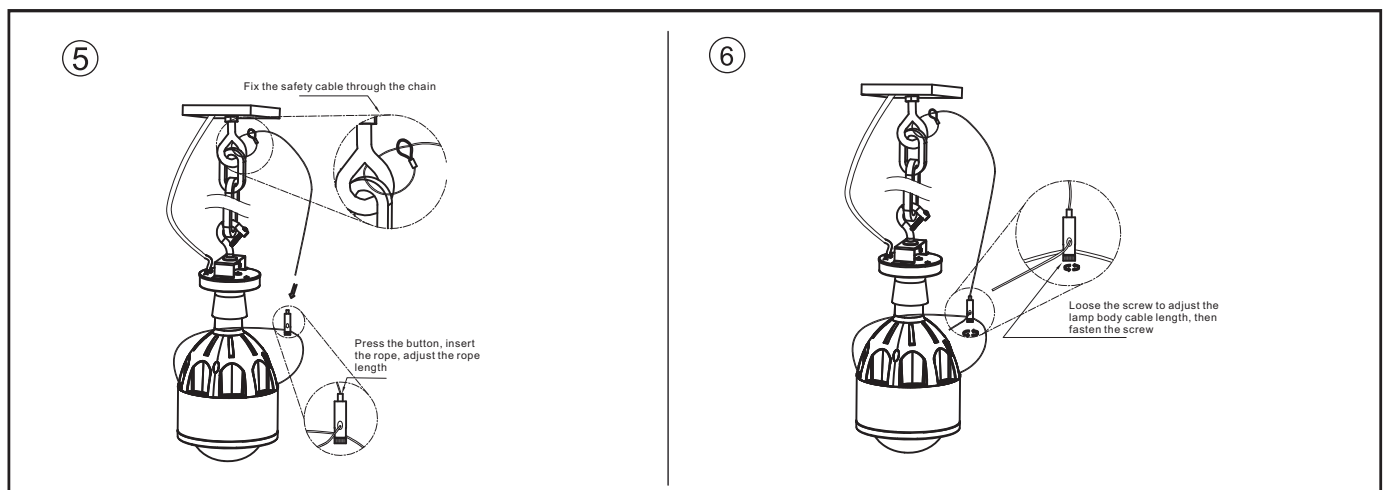
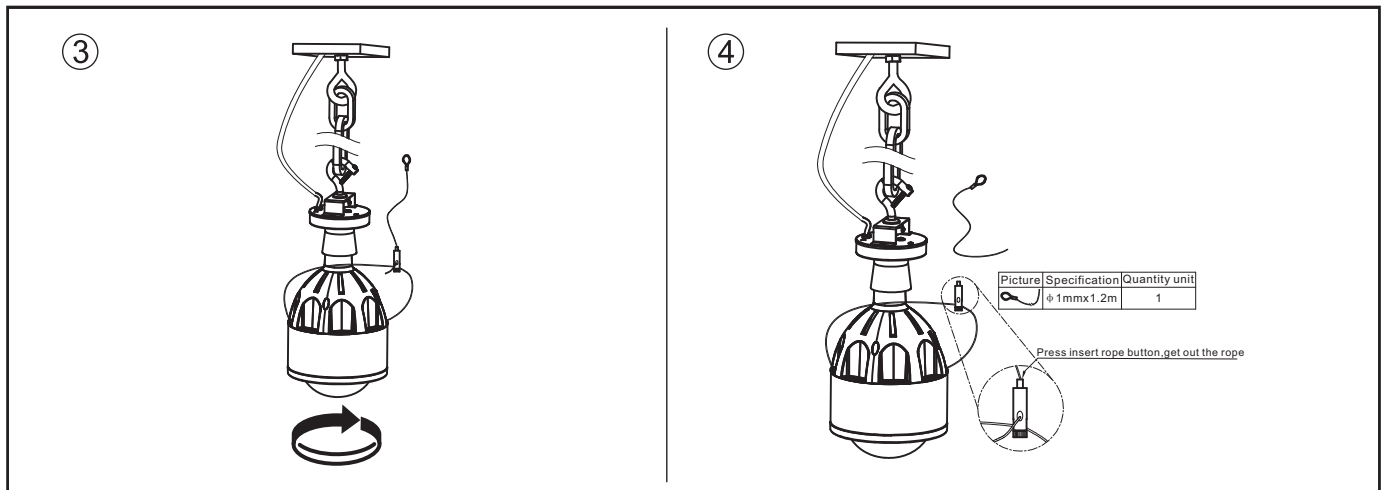
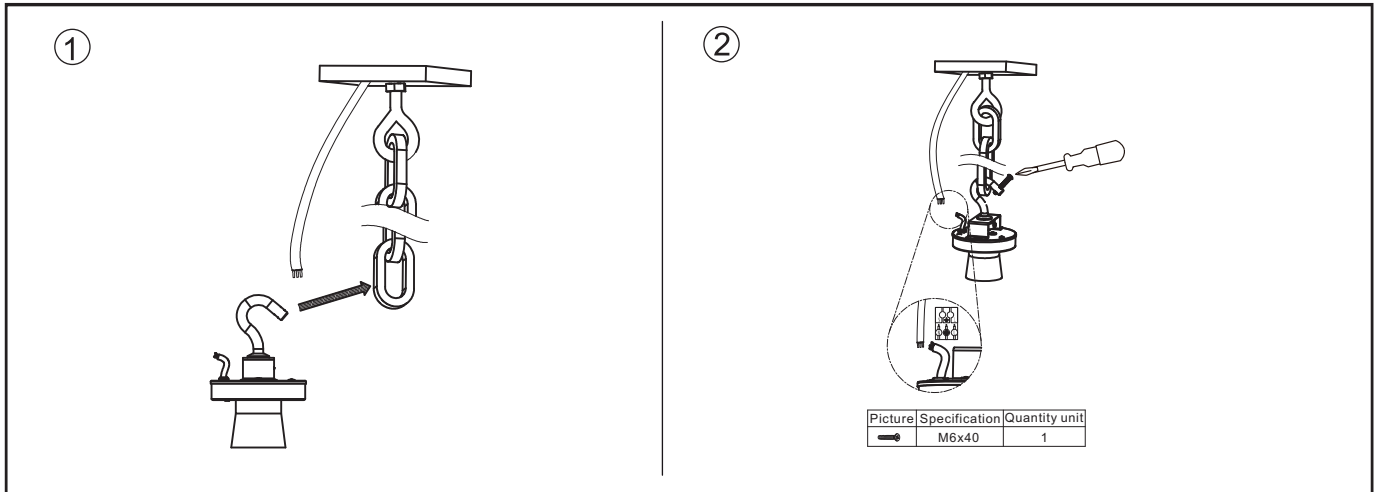
Loose the screw to adjust the lamp body cable length, then fasten the screw

⑧

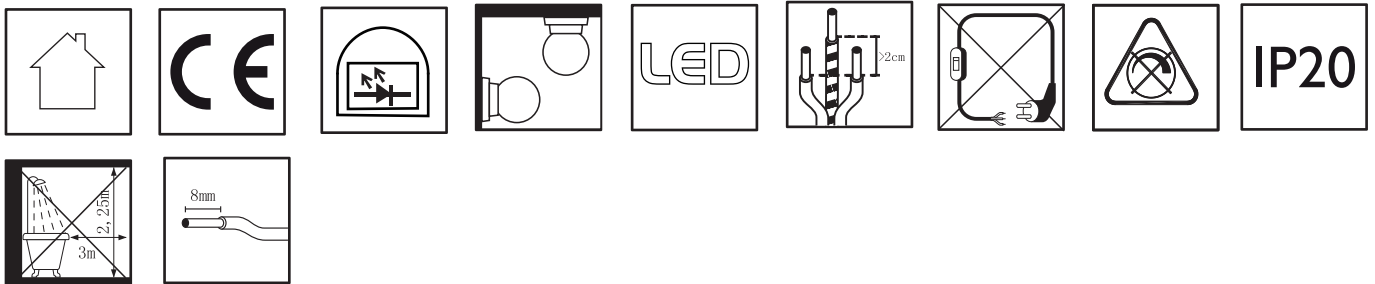
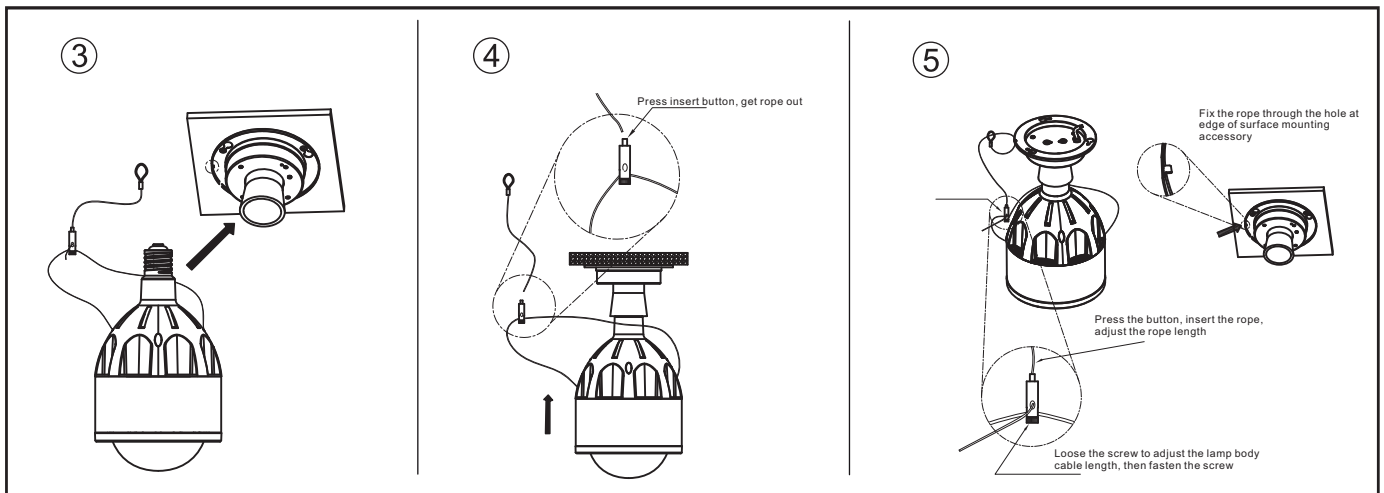
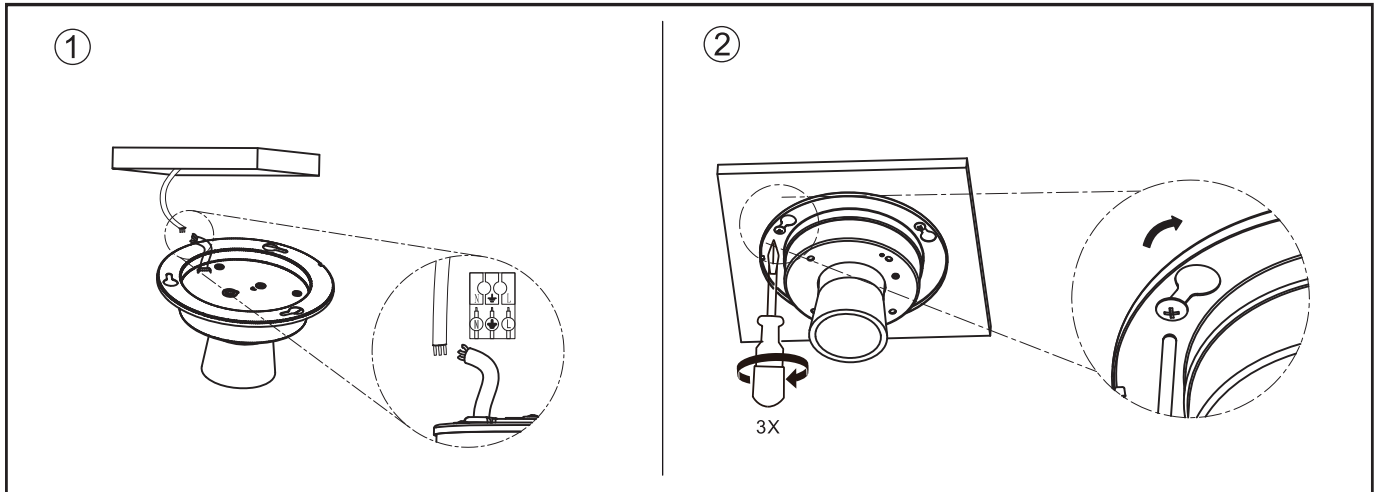


ON

Hook



Surface mounting



Data subject to change
 Les données sont sujettes à variations
 Änderungen vorbehalten

Opplé Lighting Electronic (Zhongshan) Co., Ltd.
 528422
 Building A, No.275 Dongan Bei Road,
 Haizhou District, Guzhen Town,
 Zhongshan City, Guangdong, China.

OPPLE Lighting B.V.
 Materiaalweg 6-6A
 5681 RJ Best
 The Netherlands
 service@opple.com
 www.opple.com