

LED Waterproof

OPPLE

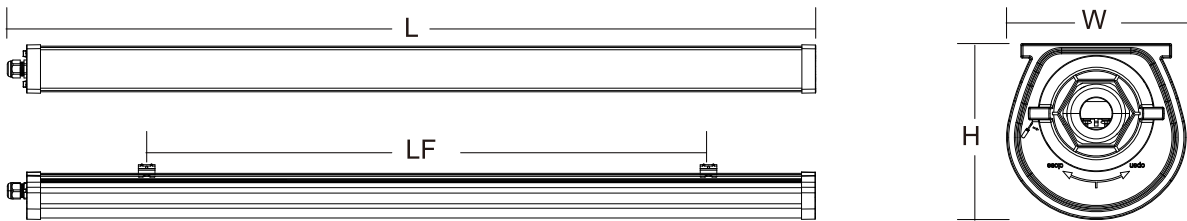
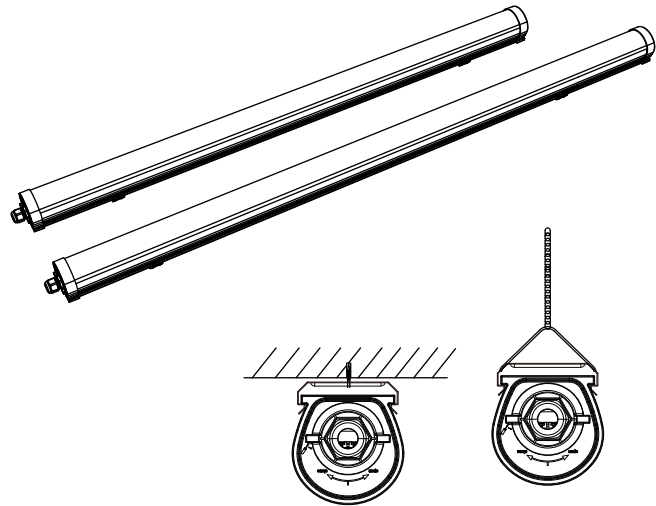
Version date 11-03-2019
www.opple.com

Item Code

CCT

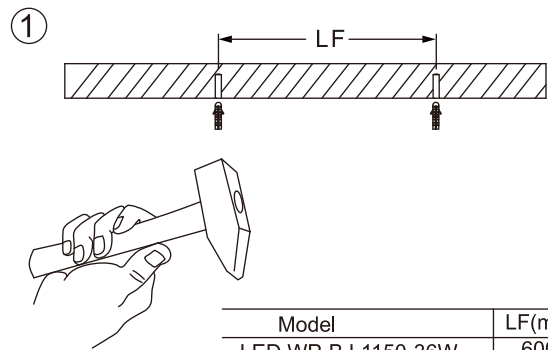
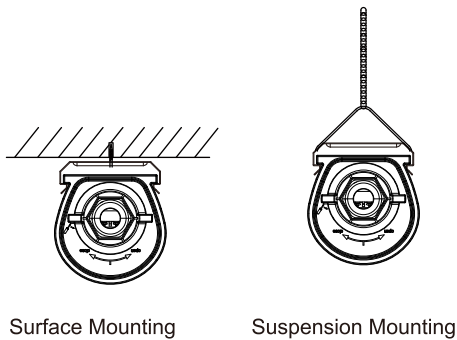


543022006400	4000K	1.03Kg
543022006500	4000K	1.54Kg

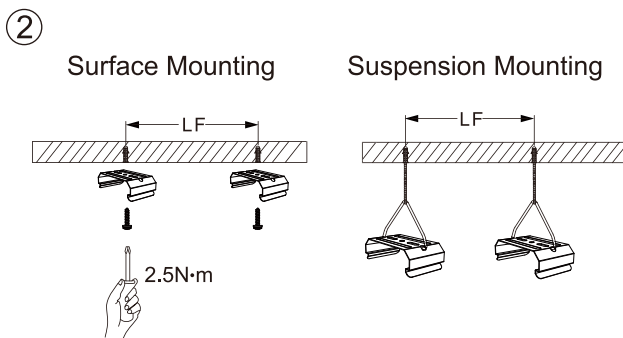


Model	L (mm)	W (mm)	H (mm)	LF (mm)	Rated Voltage	Frequency	Rated Power
LED WP-B L1150-36W	1167	70	69	600	220-240V~	50/60Hz	36W
LED WP-B L1450-50W	1448	80	82	750	220-240V~	50/60Hz	50W

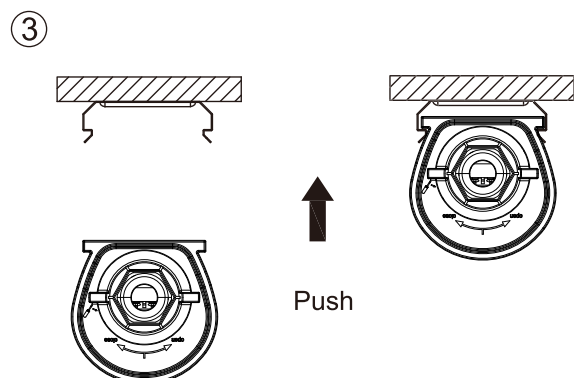
Installation



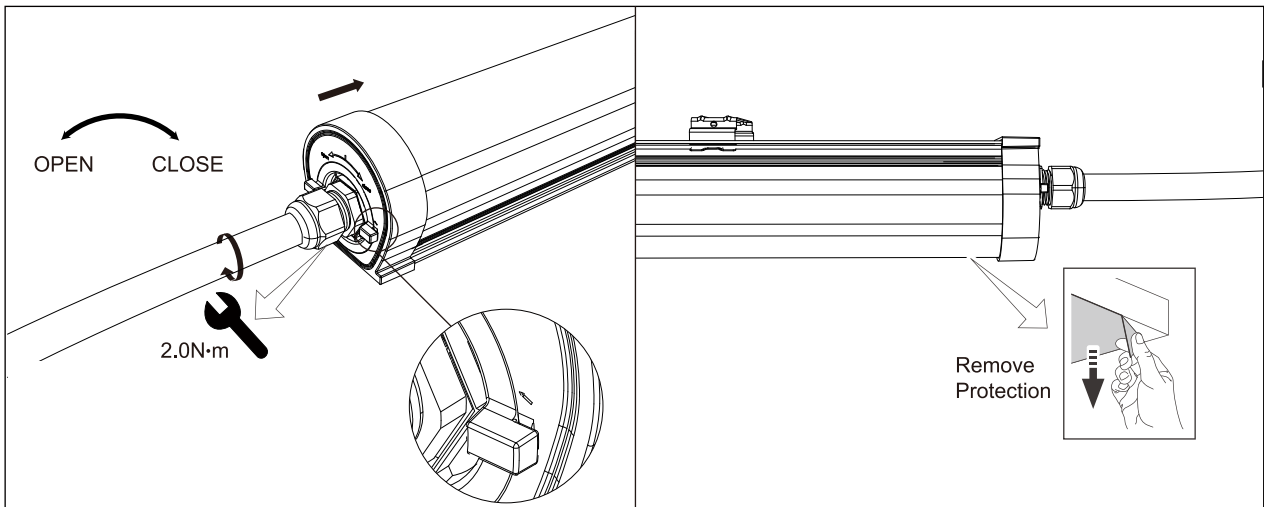
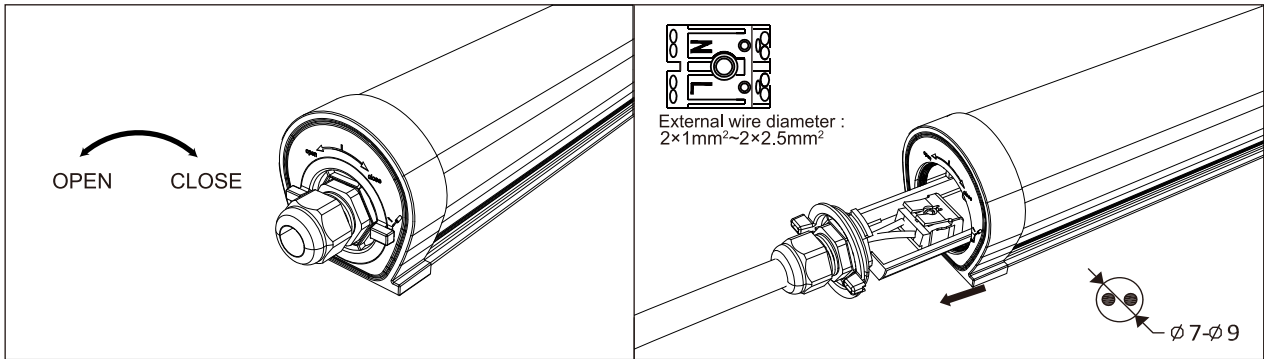
Model	LF(mm)
LED WP-B L1150-36W	600
LED WP-B L1450-50W	750



Installation Screw ST6.3x30

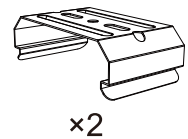
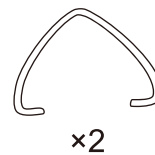
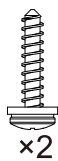


④

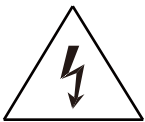


IP65 protection can only be guaranteed with properly tightened screws.

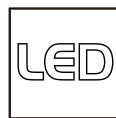
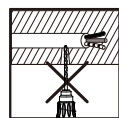
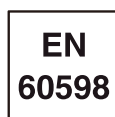
Components



Components included in the packaging inside the components box.



For non replaceable light sources
The light source of this luminaire is not replaceable;
when the light source reaches its end of life the whole luminaire shall be replaced.



Data subject to change
Les données sont sujettes à modifications
Änderungen vorbehalten

Opplé Lighting Electronic (Zhongshan) Co., Ltd.
528422
Building A, No.275 Dongan Bei Road,
Haizhou District, Guzhen Town,
Zhongshan City, Guangdong, China.

OPPLE Lighting B.V.
Materiaalweg 6-6A
5681 RJ Best
The Netherlands
service@opple.com
www.opple.com