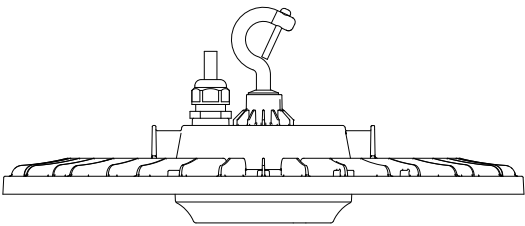
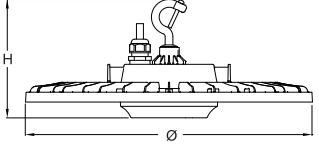
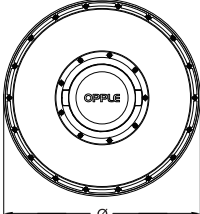


LED Highbay MD

OPPLE

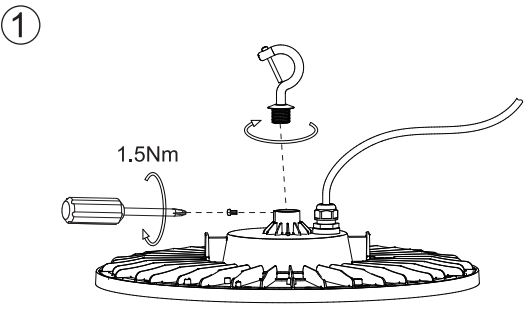
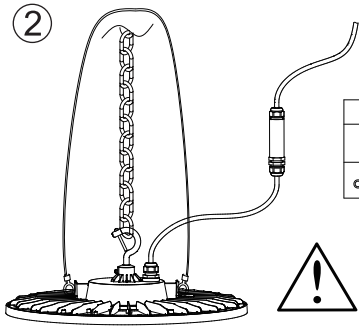
Version date 13-11-2019
www.opple.com

Model	CCT	kg
LED HB-P4 80W MD	4000K/5700K	2.3 kg
LED HB-P4 115W MD	4000K/5700K	2.3 kg
LED HB-P4 155W MD	4000K/5700K	3.3 kg
LED HB-P4 230W MD	4000K/5700K	3.3 kg

Model	H (mm)	Ø (mm)
LED HB-P4 80W MD	148	340
LED HB-P4 115W MD	148	340
LED HB-P4 155W MD	175	408
LED HB-P4 230W MD	175	408

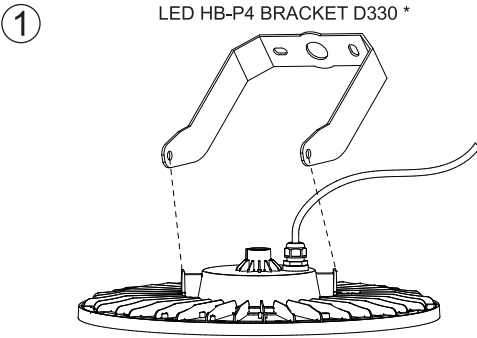
Hook

Picture	Code	Specification
	A	M8×20
	B	Ø2.0×L1200

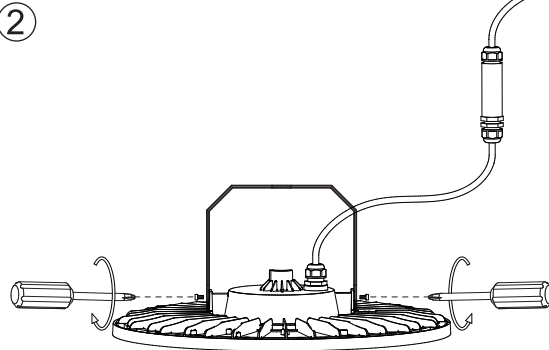
Warning: Install the additional safety wire (not included) to ensure a safe installation

Bracket (Available as accessory)

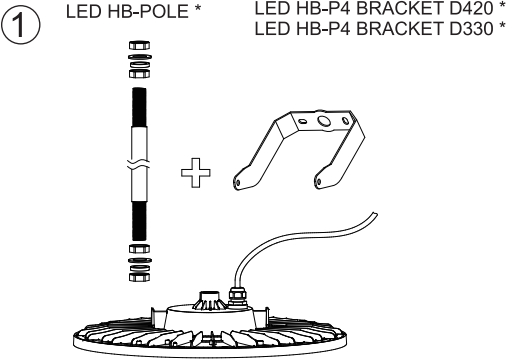


LED HB-P4 BRACKET D420 *
LED HB-P4 BRACKET D330 *

*ACCESSORY NOT INCLUDED IN THE PACKAGING

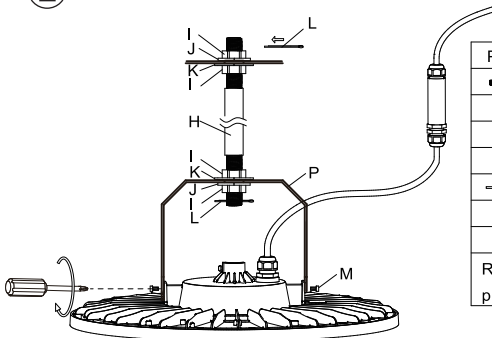


Pole (Available as accessory)



LED HB-POLE * LED HB-P4 BRACKET D420 *
LED HB-P4 BRACKET D330 *

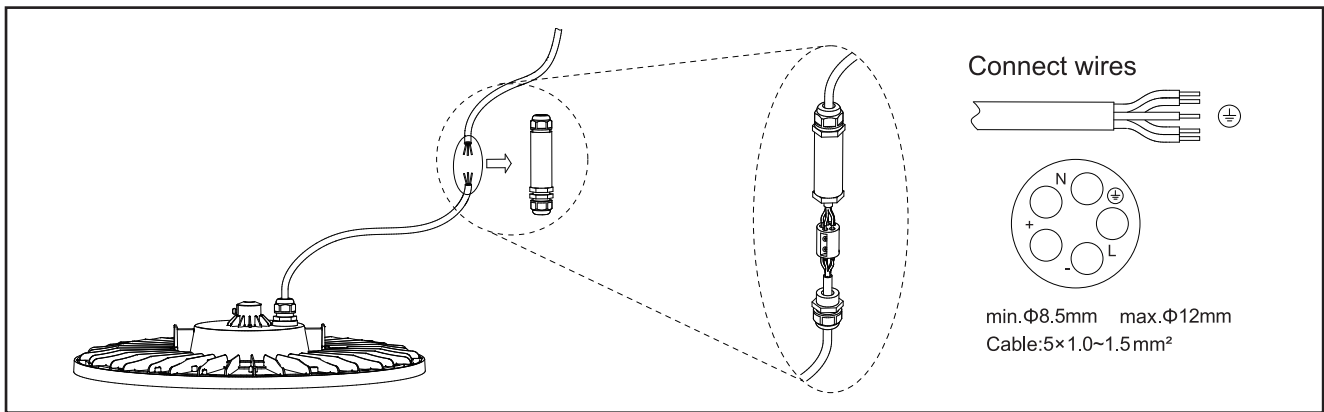
*ACCESSORY NOT INCLUDED IN THE PACKAGING



Picture	Code	Specification
	H	M20×2.5×L300
	I	M20×2.5
	J	M20
	K	M20
	L	Ø3×L30
	M	M8×20
	P	Bracket

Remark: Not Included please purchase separately

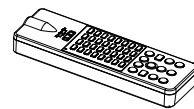
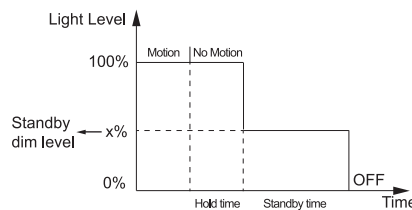
IP68 Connection



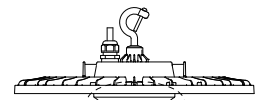
Motion Sensor

Luminaire is equipped with an integrated microwave motion/daylight sensor
The sensor will work immediately after the luminaire is connected, no further action required

Set up from factory:
Detection Area: 100%
Hold Time: 2 seconds
Stand-by Period: 0 seconds
Stand-by dim Level: 10%
Daylight Sensor: Disabled



543098024500
LED HB4-Remote Controller
(Sold as accessory)



Sensor Position

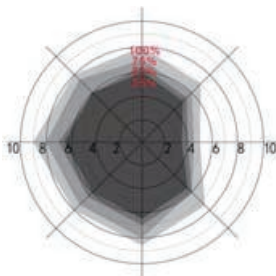
To modify the factory settings, is required to use the IR Remote Controller (Not included).

Sensor functions:

Detection Area: How big will be the area of detection of the sensor.
Hold Time: How much time without detecting any movement before the sensor dims the luminaire.
Stand-by Period: How much time without detecting any movement before the sensor turns off the luminaire.
Stand-by dim Level: Dimming level of the luminaire during the Stand-by Period.
Daylight Sensor: How much ambient lux will cause the luminaire to save energy by turning off.

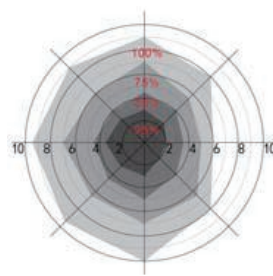
Sensor Detection Range

Height of installation: 3m



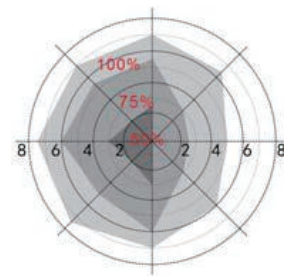
Walk (speed: 1m/s)

Height of installation: 12m



Walk (speed: 1m/s)

Height of installation: 15m

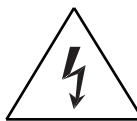


Walk (speed: 1m/s)

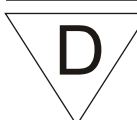


In case of damage to the wires, it has to be replaced only by the manufacturer, distributor or an expert to avoid risks.

Zur Vermeidung von Risiken müssen defekte Leitungen ausschließlich vom Hersteller, Inverkehrbringer oder Fachmann ausgetauscht werden.

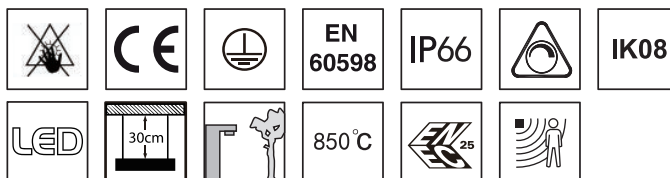


The external flexible cable or cord of this luminaire cannot be replaced; if the cord is damaged the luminaire shall be destroyed.



The light source of this luminaire is not replaceable; when the light source reaches its end of life the whole luminaire shall be replaced.

For use in environments where normal non-conductive/conductive dust accumulation may be expected, not for use in environments with expected high/unusual dust accumulation.



Suzhou Opplé Lighting Co.,Ltd.
215200
East Side, Fenyang Road,
Fenhu Economic Development Zone,
Wujiang City, Jiangsu Province,
P.R.China

OPPLE Lighting B.V.
Materiaalweg 6-6A
5681 RJ Best
The Netherlands
service@opple.com
www.opple.com