



LED Slim Panel Performer UGR19

- High efficacy up to 115lm/W, suitable for offices (UGR19)
- Available as Smart Lighting solution (BLE)
- IP54 version available
- Recessed, suspended and surface mounting possible
- Low glare luminaire brings comfort to working and study environments (UGR < 19)
- Up to 60% lower energy consumption vs TL
- Surface module available (65 mm thickness)



Specifications

Item Code	Item Description	Equivalent to (W)	Power (W)	Lumen	Efficacy (lm/W)	UGR	CCT (K)	Weight (kg/pc)
542004012800	LEDPanelRc-S4 Sq595-30W-3000-WH-U19	TL 4x18W	30	3300	110	19	3000	3.81
542004012900	LEDPanelRc-S4 Sq595-30W-4000-WH-U19	TL 4x18W	30	3500	115	19	4000	3.81
542004013000	LEDPanelRc-S4 Re295-30W-3000-WH-U19	TL 2x36W	30	3300	110	19	3000	3.84
542004013100	LEDPanelRc-S4 Re295-30W-4000-WH-U19	TL 2x36W	30	3500	115	19	4000	3.84
542004013400	LEDPanelRc-S4 Sq595-30W-DALI-3000-WH-U19	TL 4x18W	30	3300	110	19	3000	3.81
542004013500	LEDPanelRc-S4 Sq595-30W-DALI-4000-WH-U19	TL 4x18W	30	3500	115	19	4000	3.81
542004013600	LEDPanelRc-S4 Re295-30W-DALI-3000-WH-U19	TL 2x36W	30	3300	110	19	3000	3.84
542004013700	LEDPanelRc-S4 Re295-30W-DALI-4000-WH-U19	TL 2x36W	30	3500	115	19	4000	3.84
140063733	LEDPanelRc-S S595-30W-DALI-4000-U19-IP54	TL 4x18W	30	3500	115	19	4000	4.50
542004014000	LEDPanelRc-S4 Sq595-30W-BLE-3000-WH-U19	TL 4x18W	30	3300	110	19	3000	3.81
542004014100	LEDPanelRc-S4 Sq595-30W-BLE-4000-WH-U19	TL 4x18W	30	3500	115	19	4000	3.81
542004014200	LEDPanelRc-S4 Re295-30W-BLE-3000-WH-U19	TL 2x36W	30	3300	110	19	3000	3.84
542004014300	LEDPanelRc-S4 Re295-30W-BLE-4000-WH-U19	TL 2x36W	30	3500	115	19	4000	3.84
542004014600	LEDPanelRc-S4 Sq595-30W-10V-3000-WH-U19	TL 4x18W	30	3300	110	19	3000	3.81
542004014700	LEDPanelRc-S4 Sq595-30W-10V-4000-WH-U19	TL 4x18W	30	3500	115	19	4000	3.81
542004014800	LEDPanelRc-S4 Re295-30W-10V-3000-WH-U19	TL 2x36W	30	3300	110	19	3000	3.84
542004014900	LEDPanelRc-S4 Re295-30W-10V-4000-WH-U19	TL 2x36W	30	3500	115	19	4000	3.84
542004001300	LEDPanelRc-S S595-30W-10V-4000-U19-IP54	TL 4x18W	30	3500	115	19	4000	4.50

Available on request with 3- or 5- or 3+2 pole Wieland GST18i connector. Emergency lighting available on request. BLE versions are not compatible with surface module accessories.

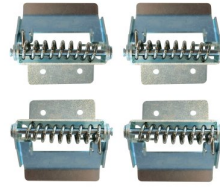
Accessories



140055484
LEDPanelRc-SI Sq600-Surface-
Module-WH-CT



140055486
LEDPanelRc-SI Re300-Surface-
Module-WH-CT



140057770
LEDPanelRc-SI-Mounting-Springs-595



542098006900
LEDPanel-S4-Suspension-Kit

Technical Specifications

Lifespan (L70B50)	70,000 h
Lifespan (L80B50)	50,000 h
On-/Off-cycles	100,000
Colour consistency (SDCM)	3
Dimmable	No / Yes (DALI/BLE/1-10V)
Beam angle	85 °
Finishing	White RAL9003
Colour rendering index CRI	≥ 80
Degree of protection (IP)	IP20 / IP54
Impact strength	IK02
Protection class	II
Risk group	RG0
Control gear included	Yes
Glow wire test	650 °C
Driver failure rate (at 5,000 hrs)	1 %
Power factor	≥ 0.90

Electrical Supply

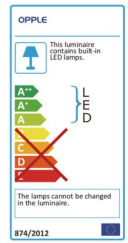
Frequency	50/60 Hz
Nominal voltage	220-240 V AC
DC input voltage	Yes, see Appendix 2

Mechanical Properties

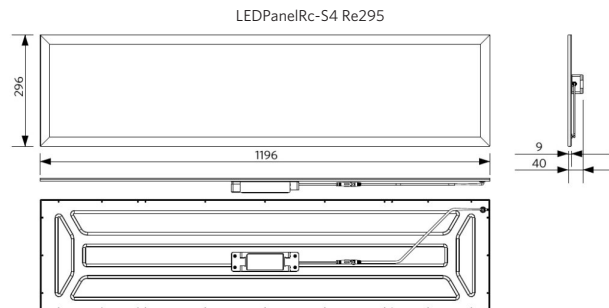
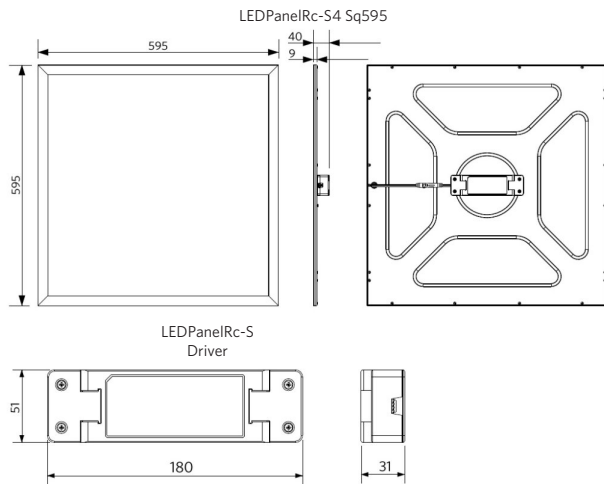
Material housing	Aluminium
Optical material	PMMA
Cover material	Polystyrene

Ambient Conditions

Operating temperature	-25 ~ 40 °C
Application temperature	25 °C
Storage environment	-25 ~ 50 °C



Dimensional Drawing (mm)



Installation Opening Drawing (mm)

