



Slim Panel Performer UGR19 G6

- NEW for BLE2 versions: improved wireless communication based on future-proof, standardized Bluetooth SIG Mesh protocol
- High quality LED Slim Panel, suitable for offices (UGR19)
- Tunable white Smart version available (2700-6500K)
- Improved efficacy up to 140lm/W, with output up to 4760lm
- Standard IP54 (front side)
- Recessed, suspended and surface mounting possible
- DALI2 driver compatible with 230V push dimming













Specifications

Item Code	Item Description	Equivalent to (W)	Power (W)	Lumen	Efficacy (lm/W)	CCT (K)	Colour rendering index (CRI)	Weight (kg/pc)
On-Off								
542003108500	LEDPanelS-P6 Sq595-30W-830-U19	TL 4x18W	30	3900	130	3000	> 80	1.90
542003108600	LEDPanelS-P6 Sq595-30W-840-U19	TL 4x18W	30	4200	140	4000	> 80	1.90
542003108700	LEDPanelS-P6 Re295-30W-830-U19	TL 2x36W	30	3900	130	3000	> 80	1.91
542003108800	LEDPanelS-P6 Re295-30W-840-U19	TL 2x36W	30	4200	140	4000	> 80	1.91
542003111300	LEDPanelS-P6 Sq595-34W-830-U19	TL 4x18W	34	4420	130	3000	> 80	1.90
542003111400	LEDPanelS-P6 Sq595-34W-840-U19	TL 4x18W	34	4760	140	4000	> 80	1.90
542003113400	LEDPanelS-P6 Sq595-34W-940-U19	TL 4x18W	34	4080	120	4000	> 90	1.90
542003111500	LEDPanelS-P6 Re295-34W-830-U19	TL 2x36W	34	4420	130	3000	> 80	1.91
542003111600	LEDPanelS-P6 Re295-34W-840-U19	TL 2x36W	34	4760	140	4000	> 80	1.91
542003113500	LEDPanelS-P6 Re295-34W-940-U19	TL 2x36W	34	4080	120	4000	> 90	1.91
DALI2								
542003109200	LEDPanelS-P6 Sq595-30W-DALI-830-U19	TL 4x18W	30	3900	130	3000	> 80	1.98
542003109300	LEDPanelS-P6 Sq595-30W-DALI-840-U19	TL 4x18W	30	4200	140	4000	> 80	1.98
542003109400	LEDPanelS-P6 Re295-30W-DALI-830-U19	TL 2x36W	30	3900	130	3000	> 80	1.99
542003109500	LEDPanelS-P6 Re295-30W-DALI-840-U19	TL 2x36W	30	4200	140	4000	> 80	1.99

Item Code	Item Description	Equivalent to (W)	Power (W)	Lumen	Efficacy (lm/W)	CCT (K)	Colour rendering index (CRI)	Weight (kg/pc)
DALI2								
542003112000	LEDPanelS-P6 Sq595-34W-DALI-830-U19	TL 4x18W	34	4420	130	3000	> 80	1.98
542003112100	LEDPanelS-P6 Sq595-34W-DALI-840-U19	TL 4x18W	34	4760	140	4000	> 80	1.98
542003113700	LEDPanelS-P6 Sq595-34W-DALI-940-U19	TL 4x18W	34	4080	120	4000	> 90	1.98
542003112200	LEDPanelS-P6 Re295-34W-DALI-830-U19	TL 2x36W	34	4420	130	3000	> 80	1.99
542003112300	LEDPanelS-P6 Re295-34W-DALI-840-U19	TL 2x36W	34	4760	140	4000	> 80	1.99
542003113800	LEDPanelS-P6 Re295-34W-DALI-940-U19	TL 2x36W	34	4080	120	4000	> 90	1.99
Smart								
542003109900	LEDPanelS-P6 Sq595-30W-BLE2-830-U19	TL 4x18W	30	3900	130	3000	> 80	1.98
542003110000	LEDPanelS-P6 Sq595-30W-BLE2-840-U19	TL 4x18W	30	4200	140	4000	> 80	1.98
542003110100	LEDPanelS-P6 Re295-30W-BLE2-830-U19	TL 2x36W	30	3900	130	3000	> 80	1.99
542003110200	LEDPanelS-P6 Re295-30W-BLE2-840-U19	TL 2x36W	30	4200	140	4000	> 80	1.99
542003112700	LEDPanelS-P6 Sq595-34W-BLE2-830-U19	TL 4x18W	34	4420	130	3000	> 80	1.98
542003112800	LEDPanelS-P6 Sq595-34W-BLE2-840-U19	TL 4x18W	34	4760	140	4000	> 80	1.98
542003114000	LEDPanelS-P6 Sq595-34W-BLE2-940-U19	TL 4x18W	34	4080	120	4000	> 90	1.98
542003112900	LEDPanelS-P6 Re295-34W-BLE2-830-U19	TL 2x36W	34	4420	130	3000	> 80	1.99
542003113000	LEDPanelS-P6 Re295-34W-BLE2-840-U19	TL 2x36W	34	4760	140	4000	> 80	1.99
542003114100	LEDPanelS-P6 Re295-34W-BLE2-940-U19	TL 2x36W	34	4080	120	4000	> 90	1.99
Smart Tunable White								
542003108200	LEDPanelS-P6 Sq595-34W-BLE2-TW-U19	TL 4x18W	34	4760	140	2700-6500	> 80	2.01
542003108300	LEDPanelS-P6 Re295-34W-BLE2-TW-U19	TL 2x36W	34	4760	140	2700-6500	> 80	2.02
1-10V								
542003110600	LEDPanelS-P6 Sq595-30W-10V-830-U19	TL 4x18W	30	3900	130	3000	> 80	1.98
542003110700	LEDPanelS-P6 Sq595-30W-10V-840-U19	TL 4x18W	30	4200	140	4000	> 80	1.98
542003110800	LEDPanelS-P6 Re295-30W-10V-830-U19	TL 2x36W	30	3900	130	3000	> 80	1.99
542003110900	LEDPanelS-P6 Re295-30W-10V-840-U19	TL 2x36W	30	4200	140	4000	> 80	1.99

Available on request with Wieland GST18 or WAGO WINSTA connector, or Euro/Schuko plug. DALI2 versions are compatible with central emergency lighting according to EN 50172. BLE versions in surface mounting frames might lead to limited BLE signal strength.

Accessories

Surface Mounting Frame				Recessed Mounting Frame	
					
140055484 LEDPanelRc-SI Sq600-Surface-Module-WH-CT	140055486 LEDPanelRc-SI Re300-Surface-Module-WH-CT	542098017600 LEDPanelRc2 Sq600-Surface-Kit-WH	542098017700 LEDPanelRc2 Re300-Surface-Kit-WH	542098009600 LEDPanelRc Sq600-Frame-WH	542098009800 LEDPanelRc Re300-Frame-WH
					
542098045500 LEDPanelS-P Suspension-Kit-G6	542098000800 LEDPanelRC-SI U19 EM-kit 1h	140060852 LEDFixture-Ceiling-Cable-Kit-0.5m	542098030700 LEDPanelRc2 Junction-Box-WH		
	542098000900 LEDPanelRC-SI U19 EM-kit 3h				



Technical Specifications

Lifetime (L70)	100,000 h
Lifetime (L80)	70,000 h
Lifetime (L90)	50,000 h
On-/Off-cycles	100,000
Colour consistency (SDCM)	3
Dimmability	On-Off / 1-10V / DALI2 / BLE2
Beam angle	90°
Finishing	White RAL9003
UGR	≤ 19
IP front side	IP54
IP recessed part	IP20
Impact strength	IK03
Protection class	II
Risk group (EN 62471)	RG0
With control gear	Yes
Glow wire test	650°C
Power factor	≥ 0.9

Electrical Supply

Frequency	50/60 Hz
Nominal voltage	220-240 V
DC input voltage	See catalogue appendix Connection Specifications
230V Cable length	1 m



Mechanical Properties

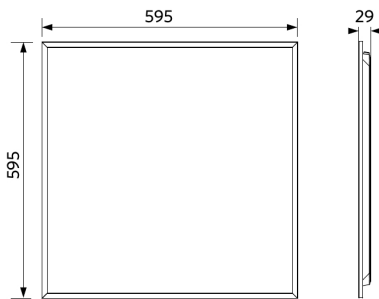
Housing material	Aluminum
Optical material	PMMA
Cover material	Polystyrene (PS)

Ambient Conditions

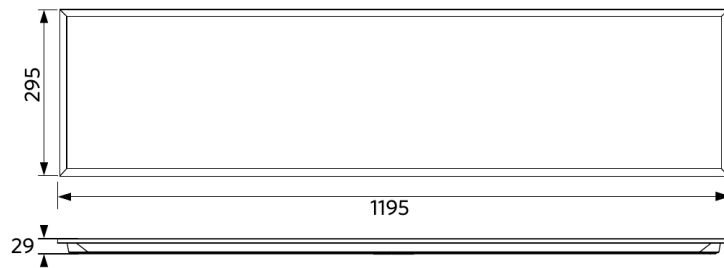
Operating temperature	-10-+45°C
Application temperature	+25°C
Storage environment	-20-+50°C

Dimensional Drawing (mm)

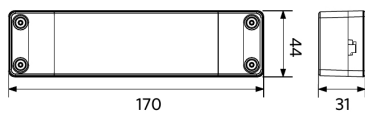
LEDPanelS-P6 Sq595



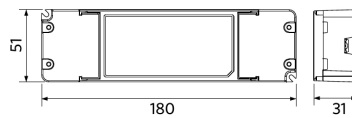
LEDPanelS-P6 Re295



LEDPanelS-P6
Driver On/Off



LEDPanelS-P6
Driver Dim



LEDPanelS-P6
Driver Tunable White

