

## LED Downlight Slim EcoMax

- Very flat design, only 34mm height
- Available in both round and square version
- Integrated driver for easier installation
- Two lumen packages
- Efficacy up to 85 lm/W



## Specifications

Item Code	Item Description	Equivalent to (W)	Power (W)	Lumen	Efficacy (lm/W)	CCT (K)	Weight (kg/pc)
140056557	LEDDownlightRc-SI-E Rd150-12W-3000-WH	CFL 1x18W	12	1020	85	3000	0.25
140056558	LEDDownlightRc-SI-E Rd150-12W-4000-WH	CFL 1x18W	12	1020	85	4000	0.25
140056559	LEDDownlightRc-SI-E Rd200-24W-3000-WH	CFL 2x26W	24	2040	85	3000	0.41
140056560	LEDDownlightRc-SI-E Rd200-24W-4000-WH	CFL 2x26W	24	2040	85	4000	0.41
140056561	LEDDownlightRc-SI-E Sq150-12W-3000-WH	CFL 1x18W	12	1020	85	3000	0.24
140056562	LEDDownlightRc-SI-E Sq150-12W-4000-WH	CFL 1x18W	12	1020	85	4000	0.24
140056563	LEDDownlightRc-SI-E Sq200-24W-3000-WH	CFL 2x26W	24	2040	85	3000	0.55
140056564	LEDDownlightRc-SI-E Sq200-24W-4000-WH	CFL 2x26W	24	2040	85	4000	0.55

Available on request with 3- pole Wieland GST18i connector

## Accessories



140060653  
LEDDownlightRc-SI-E-Adapter-150-175

140060647  
LEDDownlightRc-P-SI-E-Adapter-200-225

140060648  
LEDDownlightRc-P-SI-E-Adapter-200-250

## Technical Specifications

Lifespan (L70B50)	40,000 h
Lifespan (L80B50)	20,000 h
On-/Off-cycles	100,000
Colour consistency (SDCM)	3
Dimmable	No
Beam angle	112 °
Finishing	White RAL9003
Colour rendering index CRI	≥ 80
Degree of protection (IP)	IP44
IP recessed part	IP20
Impact strength	IK02
Protection class	II
Risk group	RG0
Control gear included	Yes
Glow wire test	650 °C
Driver failure rate (at 5,000 hrs)	1 %
Power factor	≥ 0.90

## Electrical Supply

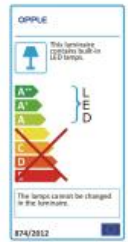
Frequency	50/60 Hz
Nominal voltage	220-240 V AC
DC input voltage	Yes, see Appendix 2

## Mechanical Properties

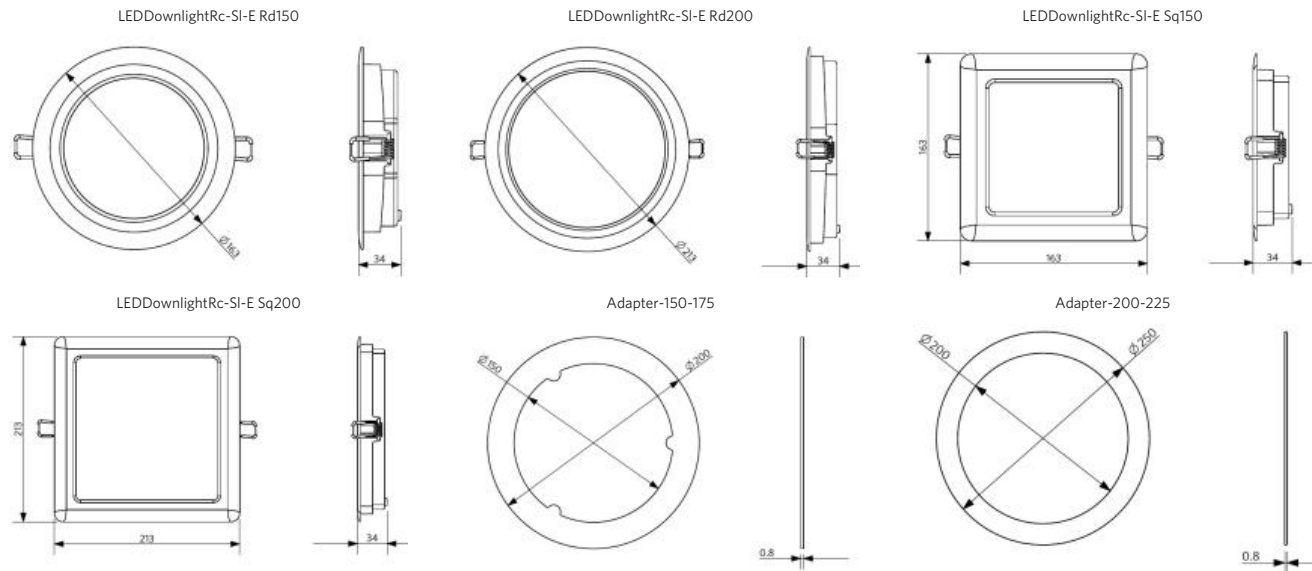
Material housing	Plastic
Optical material	Polycarbonate

## Ambient Conditions

Operating temperature	-10 ~ 40 °C
Application temperature	25 °C
Storage environment	-25 ~ 50 °C



## Dimensional Drawing (mm)



## Installation Opening Drawing (mm)

