



## LED Spot Round Adjustable HQ

- Attractive luminaire design with comfortable light beam
- Up to 85% lower energy consumption than halogen spotlights
- Unique light mixing technique and optics design, UGR16
- Good beam orientation adjustment, providing great flexibility
- Full IP44 solution, including IP44 LED-driver
- Available in white and aluminum with light colors 2700K, 3000K and 4000K



## Specifications

Item Code	Item Description	Equivalent to (W)	Power (W)	Lumen	Efficacy (lm/W)	CCT (K)	Beam angle	Weight (kg/pc)
140044423	LEDspotRA-HQ 7W-Dim-2700-40D-WH-CT	Halogen 35W	7	400	57	2700	40 °	0.19
140044096	LEDspotRA-HQ 7W-Dim-3000-40D-WH-CT	Halogen 35W	7	420	60	3000	40 °	0.19
140044100	LEDspotRA-HQ 7W-Dim-4000-40D-WH-CT	Halogen 35W	7	450	64	4000	40 °	0.19
140044419	LEDspotRA-HQ 7W-Dim-2700-40D-AL-CT	Halogen 35W	7	400	57	2700	40 °	0.19
140044080	LEDspotRA-HQ 7W-Dim-3000-40D-AL-CT	Halogen 35W	7	420	60	3000	40 °	0.19
140044084	LEDspotRA-HQ 7W-Dim-4000-40D-AL-CT	Halogen 35W	7	450	64	4000	40 °	0.19
140061281	LEDspotRA HQ2 8W-Dim-2700-40D-WH-IP44	Halogen 50W	8	600	75	2700	40 °	0.40
140061282	LEDspotRA HQ2 8W-Dim-3000-40D-WH-IP44	Halogen 50W	8	600	75	3000	40 °	0.40
140061283	LEDspotRA HQ2 8W-Dim-4000-40D-WH-IP44	Halogen 50W	8	600	75	4000	40 °	0.40
140061278	LEDspotRA HQ2 8W-Dim-2700-40D-AL-IP44	Halogen 50W	8	600	75	2700	40 °	0.40
140061279	LEDspotRA HQ2 8W-Dim-3000-40D-AL-IP44	Halogen 50W	8	600	75	3000	40 °	0.40
140061280	LEDspotRA HQ2 8W-Dim-4000-40D-AL-IP44	Halogen 50W	8	600	75	4000	40 °	0.40

See appendix 1 for dimmer compatibility list

## Technical Specifications

Lifespan (L70B50)	50,000 h
Lifespan (L80B50)	30,000 h
On-/Off-cycles	100,000
Colour consistency (SDCM)	4
Dimmable	Yes (Triac)
Maximum tilt angle	23 °
Finishing	White RAL9003 / Brushed Aluminum RAL 9022
Colour rendering index CRI	≥ 80
UGR	16
Degree of protection (IP)	IP20 / IP44
Impact strength	IK02
Protection class	II
Risk group	RG0
Control gear included	Yes
Glow wire test	650 °C
Driver failure rate (at 5,000 hrs)	1 %
Power factor	≥ 0.90

## Electrical Supply

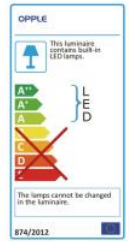
Frequency	50/60 Hz
Nominal voltage	220-240 V AC
DC input voltage	Yes, see Appendix 3

## Mechanical Properties

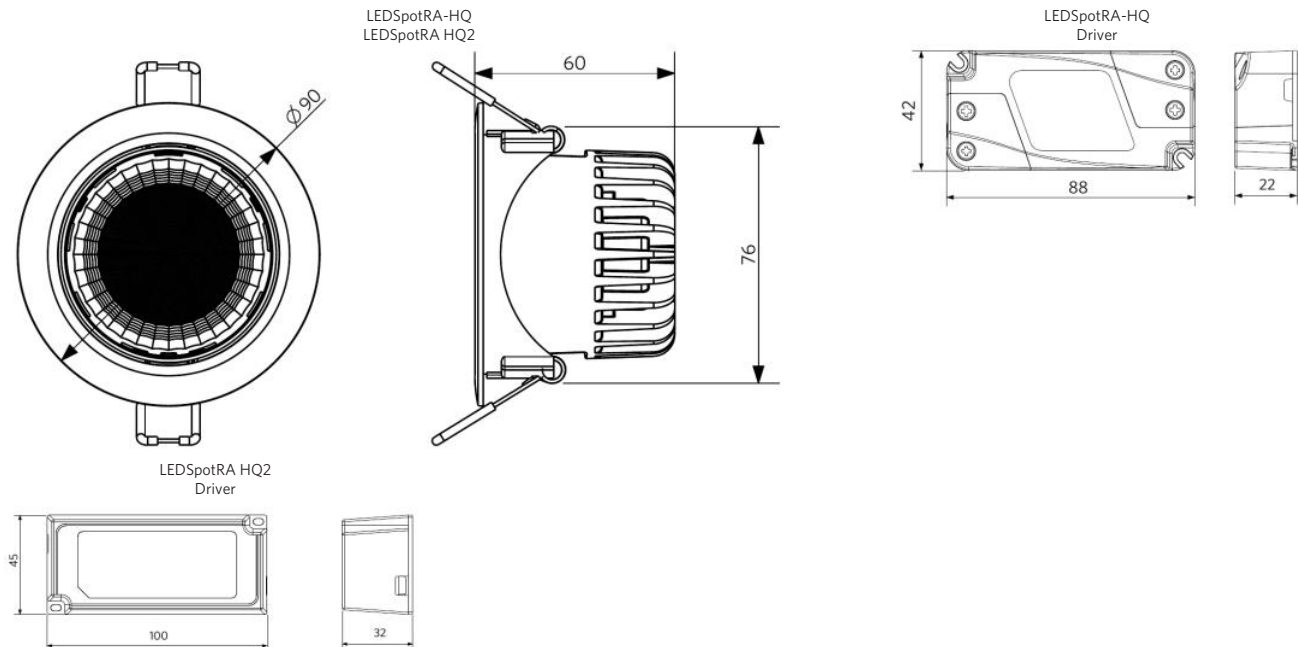
Material housing	Aluminum + Polycarbonate
Optical material	Polycarbonate

## Ambient Conditions

Operating temperature	-10 ~ 40 °C
Application temperature	25 °C
Storage environment	-25 ~ 50 °C



## Dimensional Drawing (mm)



## Installation Opening Drawing (mm)

LEDSpotRA-HQ  
LEDSpotRA HQ2  
Ø80

