



## LED Post Top

- Professional post-top solution with optimal light performance
- Integrates well into existing landscape
- Different optics to suit the application and reduce glare
- Die casted aluminium body for optimal heat dissipation
- Available in two pole sizes for more application flexibility
- IP66 and suitable for use on the coastal applications



## Specifications

Item Code	Item Description	Equivalent to (W)	Power (W)	Lumen	Efficacy (lm/W)	CCT (K)	Beam angle	Compatible pole Ø	Weight (kg/pc)
<b>On-Off</b>									
543016006000	LEDPostTop-P1- 33W-3000-W	HID 50W	33	4300	130	3000	160 °	60 mm	7.68
708000000400	LEDPostTop-P1- 33W-3000-W-D76	HID 50W	33	4300	130	3000	160 °	76 mm	7.68
543016005700	LEDPostTop-P1- 33W-3000-AS	HID 50W	33	4000	120	3000	45 ° x 150 °	60 mm	7.68
708000000100	LEDPostTop-P1- 33W-3000-AS-D76	HID 50W	33	4000	120	3000	45 ° x 150 °	76 mm	7.68
543016006600	LEDPostTop-P1- 33W-4000-W	HID 50W	33	4500	135	4000	160 °	60 mm	7.68
708000001000	LEDPostTop-P1- 33W-4000-W-D76	HID 50W	33	4500	135	4000	160 °	76 mm	7.68
543016006300	LEDPostTop-P1- 33W-4000-AS	HID 50W	33	4100	125	4000	50 ° x 150 °	60 mm	7.68
708000000700	LEDPostTop-P1- 33W-4000-AS-D76	HID 50W	33	4100	125	4000	50 ° x 150 °	76 mm	7.68
543016006100	LEDPostTop-P1- 50W-3000-W	HID 70W	50	6500	130	3000	155 °	60 mm	7.72
708000000500	LEDPostTop-P1- 50W-3000-W-D76	HID 70W	50	6500	130	3000	155 °	76 mm	7.72
543016005800	LEDPostTop-P1- 50W-3000-AS	HID 70W	50	6000	120	3000	40 ° x 150 °	60 mm	7.72
708000000200	LEDPostTop-P1- 50W-3000-AS-D76	HID 70W	50	6000	120	3000	40 ° x 150 °	76 mm	7.72
543016006700	LEDPostTop-P1- 50W-4000-W	HID 70W	50	6800	135	4000	155 °	60 mm	7.72
708000001100	LEDPostTop-P1- 50W-4000-W-D76	HID 70W	50	6800	135	4000	155 °	76 mm	7.72
543016006400	LEDPostTop-P1- 50W-4000-AS	HID 70W	50	6300	125	4000	40 ° x 150 °	60 mm	7.72
708000000800	LEDPostTop-P1- 50W-4000-AS-D76	HID 70W	50	6300	125	4000	40 ° x 150 °	76 mm	7.72
543016006200	LEDPostTop-P1- 68W-3000-W	HID 100W	68	8800	130	3000	155 °	60 mm	7.91
708000000600	LEDPostTop-P1- 68W-3000-W-D76	HID 100W	68	8800	130	3000	155 °	76 mm	7.91
543016005900	LEDPostTop-P1- 68W-3000-AS	HID 100W	68	8200	120	3000	40 ° x 150 °	60 mm	7.91
708000000300	LEDPostTop-P1- 68W-3000-AS-D76	HID 100W	68	8200	120	3000	40 ° x 150 °	76 mm	7.91
543016006800	LEDPostTop-P1- 68W-4000-W	HID 100W	68	9200	135	4000	155 °	60 mm	7.91
708000001200	LEDPostTop-P1- 68W-4000-W-D76	HID 100W	68	9200	135	4000	155 °	76 mm	7.91
543016006500	LEDPostTop-P1- 68W-4000-AS	HID 100W	68	8500	125	4000	40 ° x 150 °	60 mm	7.91
708000000900	LEDPostTop-P1- 68W-4000-AS-D76	HID 100W	68	8500	125	4000	40 ° x 150 °	76 mm	7.91

## Accessories



599000004600  
LEDStreet-SE-ExtensionCable

### Technical Specifications

Lifetime (L70)	100,000 h
Lifetime (L80)	70,000 h
On-/Off-cycles	100,000
Colour consistency (SDCM)	5
Dimmability	On-Off
Finishing	Grey RAL 870-3
Colour rendering index CRI	≥ 70
Degree of protection (IP)	IP66
Impact strength	IK08
Protection class	I
Risk group (EN 62471)	RG0
With control gear	Yes
Glow wire test	850 °C
Driver failure rate (at 5,000 hrs)	0.5 %
Power factor	≥ 0.9
Surge protection	10 kV

### Electrical Supply

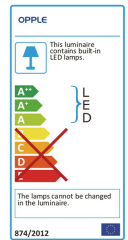
Frequency	50/60 Hz
Nominal voltage	220-240 V AC
DC input voltage	See Appendix 4

### Mechanical Properties

Material housing	Aluminium
Optical material	Polycarbonate
Effective wind area	1590 cm <sup>2</sup>

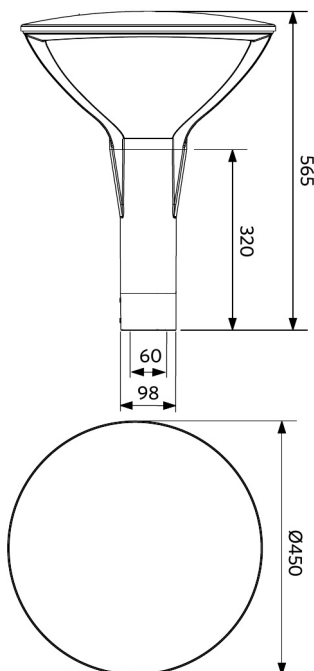
### Ambient Conditions

Operating temperature	-30-+50 °C
Application temperature	+25 °C
Storage environment	-40-+60 °C



## Dimensional Drawing (mm)

LEDPostTop-P1  
D60



LEDPostTop-P1  
D76

