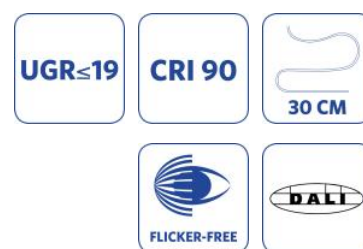




LED Spot Performer RA

- High lumen packages with high efficacy: up to 3,600 lm and 85 lm/W
- Tilttable
- Low glare due to matte black anti-glare ring
- Multiple beam angles and DALI versions available
- DALI versions available



Specifications

Item Code	Item Description	Equivalent to (W)	Power (W)	Lumen	Efficacy (lm/W)	CCT (K)	Beam angle	Weight (kg/pc)
140054455	LEDSpotRA-P 30W-3000-40D-WH	HID 35W	30	2400	80	3000	40 °	0.90
140054459	LEDSpotRA-P 30W-4000-40D-WH	HID 35W	30	2550	85	4000	40 °	0.90
140058488	LEDSpotRA-P 45W-3000-36D-WH	HID 50W	45	3375	75	3000	36 °	1.30
140058492	LEDSpotRA-P 45W-4000-36D-WH	HID 50W	45	3600	80	4000	36 °	1.30
140063683	LEDSpotRA-P 30W-3000-40D-WH-DALI	HID 35W	30	2400	80	3000	40 °	0.88
140063687	LEDSpotRA-P 30W-4000-40D-WH-DALI	HID 35W	30	2550	85	4000	40 °	0.88
140063707	LEDSpotRA-P 45W-3000-36D-WH-DALI	HID 50W	45	3375	75	3000	36 °	1.33
140063711	LEDSpotRA-P 45W-4000-36D-WH-DALI	HID 50W	45	3600	80	4000	36 °	1.33

Technical Specifications

Lifespan (L70B50)	50,000 h
Lifespan (L80B50)	30,000 h
On-/Off-cycles	100,000
Colour consistency (SDCM)	3
Dimmable	No / Yes (DALI)
Maximum tilt angle	20 °
Finishing	Matte white, matte black anti-glare ring
Colour rendering index CRI	≥ 90
UGR	19
Degree of protection (IP)	IP20
Impact strength	IK02
Protection class	II
Risk group	RG1
Control gear included	Yes
Glow wire test	650 °C
Driver failure rate (at 5,000 hrs)	1 %
Power factor	≥ 0.90

Electrical Supply

Frequency	50/60 Hz
Nominal voltage	220-240 V AC
DC input voltage	Yes, see Appendix 3

Mechanical Properties

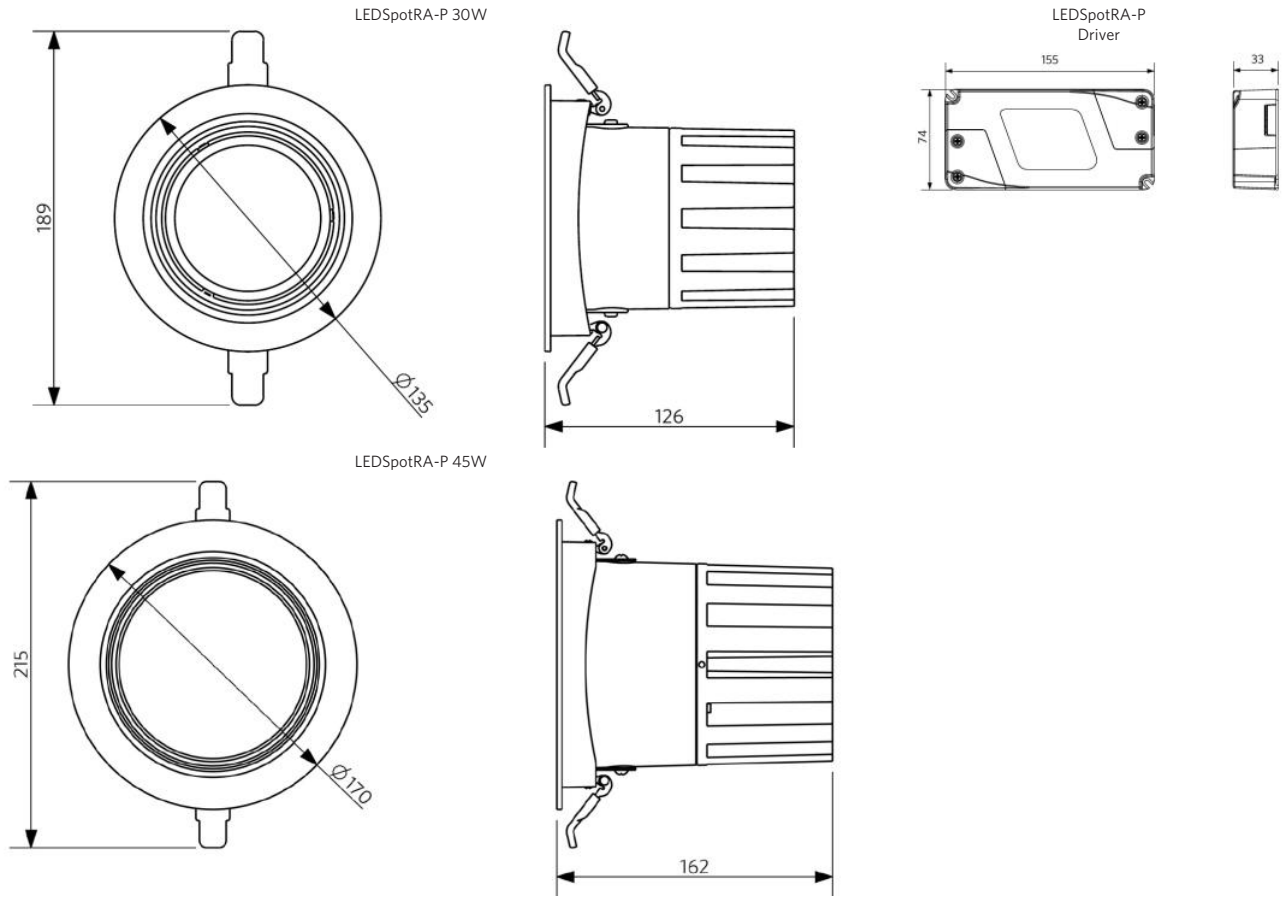
Material housing	Die-casted Aluminum
Optical material	Polycarbonate
Lens material	Polycarbonate

Ambient Conditions

Operating temperature	-25 ~ 40 °C
Application temperature	25 °C
Storage environment	-25 ~ 50 °C



Dimensional Drawing (mm)



Installation Opening Drawing (mm)

