



LED Spot Performer 3C

- Attractive design with basic cylinder and box shapes fit easily into shop architectures
- High lumen packages with high efficacy: up to 3,600 lm and 85 lm/W (CRI 90)
- Equipped with original Global track adapters
- Fitting common Global/Nordic Aluminium® 3C tracks - and many other standard types
- Low glare due to matte black anti-glare ring
- Available in matte white (WH) and matte black (BL) versions
- High cost savings due to long lifetime (no lamp replacement)



Specifications

Item Code	Item Description	Equivalent to (W)	Power (W)	Lumen	Efficacy (lm/W)	CCT (K)	Beam angle	Weight (kg/pc)
140054439	LEDspot3C-P 30W-3000-40D-WH	HID 50W	30	2400	80	3000	40 °	1.20
140054443	LEDspot3C-P 30W-3000-40D-BL	HID 50W	30	2400	80	3000	40 °	1.20
140054447	LEDspot3C-P 30W-4000-40D-WH	HID 50W	30	2550	85	4000	40 °	1.20
140054451	LEDspot3C-P 30W-4000-40D-BL	HID 50W	30	2550	85	4000	40 °	1.20
140058472	LEDspot3C-P 45W-3000-36D-WH	HID 70W	45	3375	75	3000	36 °	1.60
140058476	LEDspot3C-P 45W-3000-36D-BL	HID 70W	45	3375	75	3000	36 °	1.60
140058480	LEDspot3C-P 45W-4000-36D-WH	HID 70W	45	3600	80	4000	36 °	1.60
140058484	LEDspot3C-P 45W-4000-36D-BL	HID 70W	45	3600	80	4000	36 °	1.60

Technical Specifications

Lifespan (L70B50)	50,000 h
Lifespan (L80B50)	30,000 h
On-/Off-cycles	100,000
Colour consistency (SDCM)	4
Dimmable	No
Maximum tilt angle	90 °
Finishing	Matte white, matte black anti-glare ring / Matte Black, Matte Black anti-glare ring
Colour rendering index CRI	≥ 90
Degree of protection (IP)	IP20
Impact strength	IK02
Protection class	I
Risk group	RG1
Control gear included	Yes
Glow wire test	650 °C
Driver failure rate (at 5,000 hrs)	1 %
Power factor	≥ 0.90

Electrical Supply

Frequency	50/60 Hz
Nominal voltage	220-240 V AC
DC input voltage	Yes, see Appendix 2

Mechanical Properties

Material housing	Die-casted Aluminum
Optical material	Polycarbonate
Lens material	Plastic (PC)

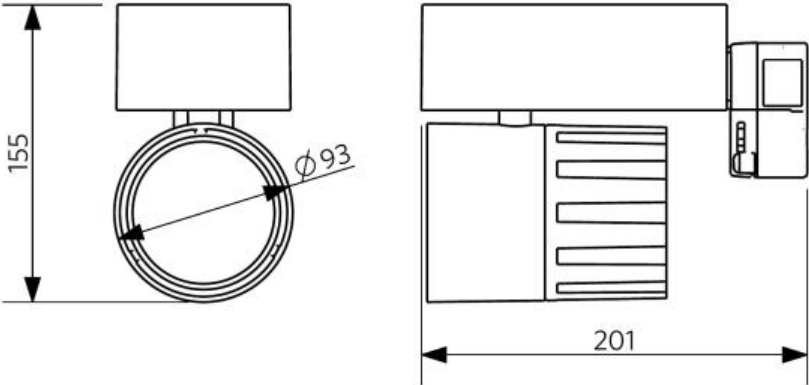
Ambient Conditions

Operating temperature	-25 ~ 40 °C
Application temperature	25 °C
Storage environment	-25 ~ 50 °C



Dimensional Drawing (mm)

LEDspot3C-P 30W



LEDspot3C-P 45W

