



LED Lowbay

- NEW: 80W versions available
- Stylish solution for medium high ceilings in retail and industry
- High efficacy up to 100lm/W
- Up to 50% energy saving compared to HID solutions
- Multiple beam angles available



Specifications

Item Code	Item Description	Equivalent to (W)	Power (W)	Lumen	Efficacy (lm/W)	CCT (K)	Beam angle	Weight (kg/pc)
545002000600	LEDLowbay-E 30W-4000-60D	CFL 2x26W	30	3000	100	4000	60 °	0.54
545002000500	LEDLowbay-E 30W-4000-120D	CFL 2x26W	30	3000	100	4000	120 °	0.65
545002000400	LEDLowbay-E 50W-4000-60D	HID 70W	50	5000	100	4000	60 °	1.03
545002000300	LEDLowbay-E 50W-4000-120D	HID 70W	50	5000	100	4000	120 °	1.14
545002000200	LEDLowbay-E 80W-4000-60D	HID 100W	80	7200	90	4000	60 °	1.70
545002000100	LEDLowbay-E 80W-4000-90D	HID 100W	80	8000	100	4000	90 °	1.70

Technical Specifications

Lifespan (L70B50)	60,000 h
Lifespan (L80B50)	40,000 h
On-/Off-cycles	100,000
Colour consistency (SDCM)	4
Dimmable	No
Finishing	Silver
Colour rendering index CRI	≥ 80
Degree of protection (IP)	IP20
Impact strength	IK03
Protection class	I
Risk group	RG1
Control gear included	Yes
Glow wire test	650 °C
Driver failure rate (at 5,000 hrs)	1 %
Power factor	0.95

Electrical Supply

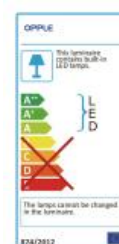
Frequency	50/60 Hz
Nominal voltage	220-240 V AC
DC input voltage	Yes, see Appendix 2

Mechanical Properties

Material housing	Aluminium
Optical material	Polycarbonate

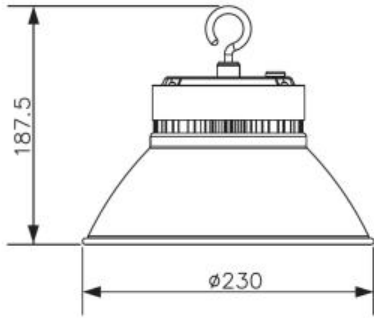
Ambient Conditions

Operating temperature	-20 ~ 45 °C
Application temperature	25 °C
Storage environment	-30 ~ 50 °C

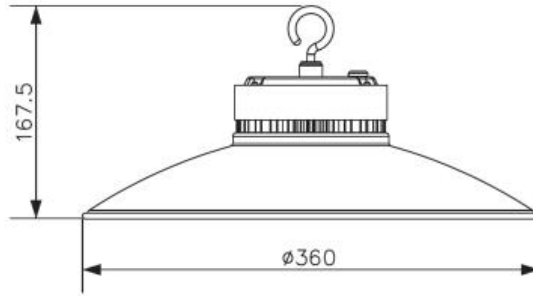


Dimensional Drawing (mm)

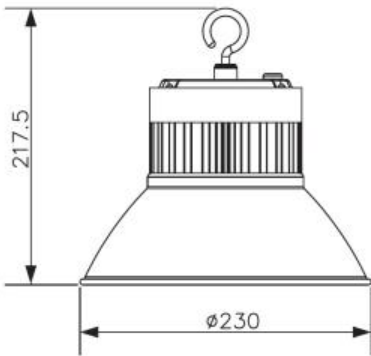
LEDLowbay-E 30W-4000-60D



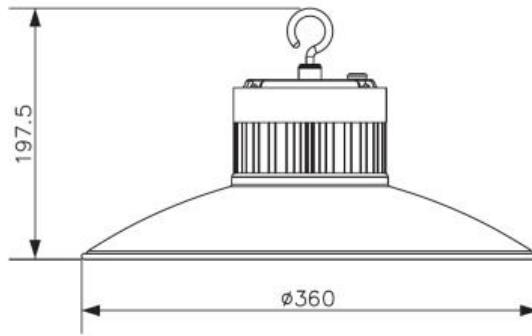
LEDLowbay-E 30W-4000-120D



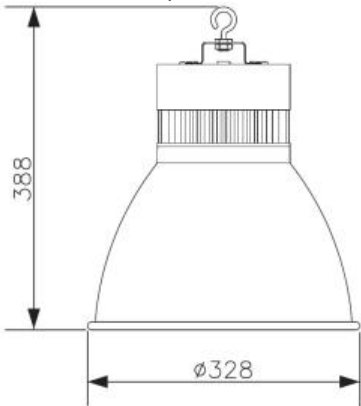
LEDLowbay-E 50W-4000-60D



LEDLowbay-E 50W-4000-120D



LEDLowbay-E 80W-4000-60D



LEDLowbay-E 80W-4000-90D

