



LED Downlight HZ^{DIM}

- Easy switching from CFL to LED – even when dimming is needed
- Integrated driver for easier installation
- High system efficacy up to 94 lm/W
- Lower energy and maintenance costs
- IP44 (light output side)
- Suitable for retrofitting due to available adapter ring sizes



Specifications

Item Code	Item Description	Equivalent to (W)	Power (W)	Lumen	Efficacy (lm/W)	CCT (K)	Weight (kg/pc)
140051474	LEDDownlightRc-HZ R125-7W-Dim-3000-WH	CFL 1x13W	7	600	86	3000	0.17
140051475	LEDDownlightRc-HZ R125-7W-Dim-4000-WH	CFL 1x13W	7	600	86	4000	0.17
140051476	LEDDownlightRc-HZ R150-10W-Dim-3000-WH	CFL 1x18W	10	900	90	3000	0.25
140051477	LEDDownlightRc-HZ R150-10W-Dim-4000-WH	CFL 1x18W	10	900	90	4000	0.25
140051478	LEDDownlightRc-HZ R175-13W-Dim-3000-WH	CFL 1x26W	13	1200	92	3000	0.32
140051479	LEDDownlightRc-HZ R175-13W-Dim-4000-WH	CFL 1x26W	13	1200	92	4000	0.32
140051480	LEDDownlightRc-HZ R200-16W-Dim-3000-WH	CFL 1x26W	16	1500	94	3000	0.37
140051481	LEDDownlightRc-HZ R200-16W-Dim-4000-WH	CFL 1x26W	16	1500	94	4000	0.37

Available on request with 3- pole Wieland GST18i connector. See appendix 1 for dimmer compatibility list.

Accessories



140060650
LEDDownlightRc-HZdim-Adapter-125-150

140060646
LEDDownlightRc-P-HZ-Adapter-150-175

140060651
LEDDownlightRc-HZdim-Adapter-175-200

140060649
LEDDownlightRc-HZdim-Adapter-200-250

140060652
LEDDownlightRc-HZdim-Adapter-200-225

Technical Specifications

Lifespan (L70B50)	50,000 h
Lifespan (L80B50)	30,000 h
On-/Off-cycles	100,000
Colour consistency (SDCM)	4
Dimmable	Yes (Triac)
Beam angle	110 °
Finishing	White RAL9003
Colour rendering index CRI	≥ 80
Degree of protection (IP)	IP44
IP recessed part	IP20
Impact strength	IK02
Protection class	II
Risk group	RG0
Control gear included	Yes
Glow wire test	650 °C
Driver failure rate (at 5,000 hrs)	1 %
Power factor	≥ 0.90

Electrical Supply

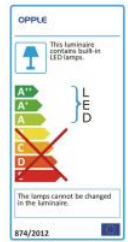
Frequency	50/60 Hz
Nominal voltage	220-240 V AC
DC input voltage	Yes, see Appendix 3

Mechanical Properties

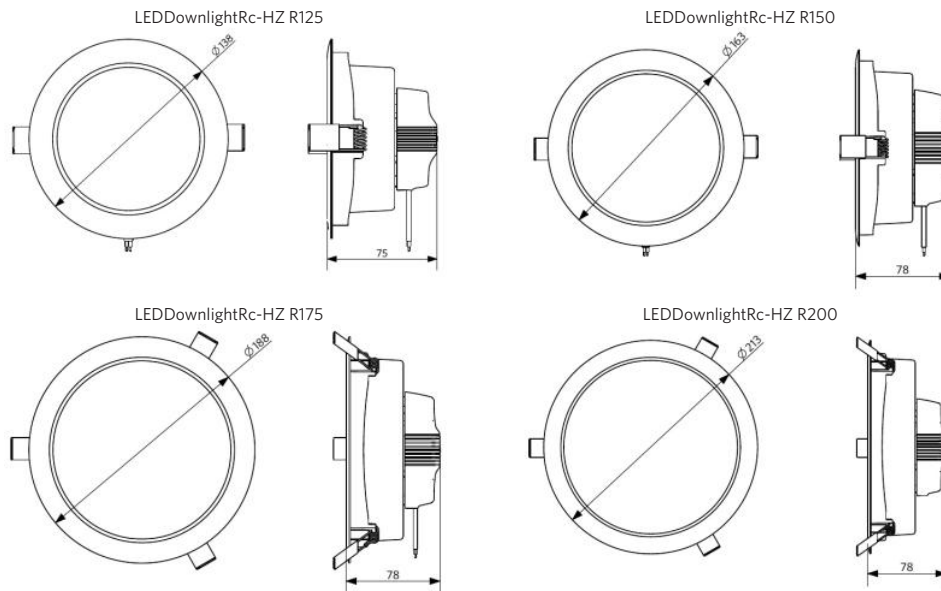
Material housing	Aluminum + Polycarbonate
Optical material	Polycarbonate

Ambient Conditions

Operating temperature	-10 ~ 40 °C
Application temperature	25 °C
Storage environment	-25 ~ 50 °C



Dimensional Drawing (mm)



Installation Opening Drawing (mm)

