

LED Downlight Basic

- Suitable for recessed applications
- Replacement for conventional 1x18W or 2x26W CFL luminaires
- Energy saving up to 60%
- Flicker-free light with perfect uniformity
- Easy to install due to integrated LED driver



Specifications

Item Code	Item Description	Equivalent to (W)	Power (W)	Lumen	Efficacy (lm/W)	CCT (K)	Weight (kg/pc)
540001023800	LEDDownlightRc-B Rd150-12W-3000-WH	CFL 1x18W	12	930	79	3000	0.15
540001000510	LEDDownlightRc-B Rd150-12W-4000-WH	CFL 1x18W	12	960	80	4000	0.15
540001023700	LEDDownlightRc-B Rd200-22W-3000-WH	CFL 2x26W	22	1800	82	3000	0.25
540001000410	LEDDownlightRc-B Rd200-22W-4000-WH	CFL 2x26W	22	1870	85	4000	0.25

Technical Specifications

Lifespan (L70B50)	30,000 h
On-/Off-cycles	100,000
Dimmable	No
Beam angle	110 °
Finishing	White RAL9003
Colour rendering index CRI	≥ 80
Degree of protection (IP)	IP20
Impact strength	IK02
Protection class	II
Risk group	RG0
Control gear included	Yes
Glow wire test	650 °C
Driver failure rate (at 5,000 hrs)	1 %
Power factor	0.50

Electrical Supply

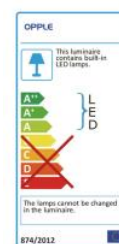
Frequency	50/60 Hz
Nominal voltage	220-240 V AC
DC input voltage	Yes, see Appendix 3

Mechanical Properties

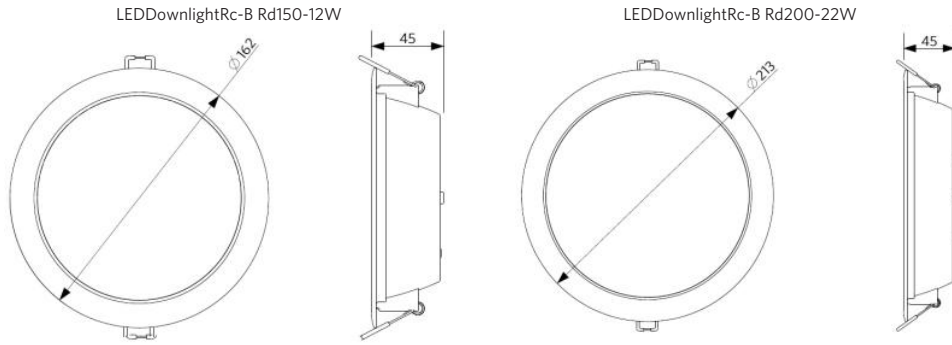
Material housing	Polycarbonate (PC)
Optical material	Polypropylene (PP)

Ambient Conditions

Operating temperature	-10 ~ 45 °C
Application temperature	25 °C
Storage environment	-25 ~ 50 °C



Dimensional Drawing (mm)



Installation Opening Drawing (mm)

