



LED Downlight Performer HG

- Available as wireless Smart Lighting solution (BLE)
- Unique optical lens concept with high gloss (HG) reflector and low glare
- Low luminaire height (max 73mm)
- Direct replacement for compact fluorescent downlights - saving over 60% of energy costs
- IP44 (light output side)
- Provided with protective foil in order to protect the downlight against dust and dirt during the assembly
- Suitable for retrofitting due to various adapter ring sizes



Specifications

Item Code	Item Description	Equivalent to (W)	Power (W)	Lumen	Efficacy (lm/W)	UGR	CCT (K)	Weight (kg/pc)
140057154	LEDDownlightRc-P-HG R150-11.5W-3000	CFL 1x18W	11.5	1150	102	19	3000	0.45
140057155	LEDDownlightRc-P-HG R150-11.5W-4000	CFL 1x18W	11.5	1200	104	19	4000	0.45
140057152	LEDDownlightRc-P-HG R200-15W-3000	CFL 1x26W	15	1600	108	19	3000	0.76
140057153	LEDDownlightRc-P-HG R200-15W-4000	CFL 1x26W	15	1660	110	19	4000	0.76
140057156	LEDDownlightRc-P-HG R200-23W-3000	CFL 2x26W	23	2350	102	19	3000	0.76
140057157	LEDDownlightRc-P-HG R200-23W-4000	CFL 2x26W	23	2400	104	19	4000	0.76
140057158	LEDDownlightRc-P-HG R200-33W-3000	CFL 2x32W	33	3360	105	22	3000	0.76
140057159	LEDDownlightRc-P-HG R200-33W-4000	CFL 2x32W	33	3500	107	22	4000	0.76
140057162	LEDDownlightRc-P-HG R150-11.5W-DALI-3000	CFL 1x18W	11.5	1150	100	19	3000	0.45
140057163	LEDDownlightRc-P-HG R150-11.5W-DALI-4000	CFL 1x18W	11.5	1200	102	19	4000	0.45
140057160	LEDDownlightRc-P-HG R200-15W-DALI-3000	CFL 1x26W	15	1600	105	19	3000	0.76
140057161	LEDDownlightRc-P-HG R200-15W-DALI-4000	CFL 1x26W	15	1660	107	19	4000	0.76
140057164	LEDDownlightRc-P-HG R200-23W-DALI-3000	CFL 2x26W	23	2350	100	19	3000	0.76
140057165	LEDDownlightRc-P-HG R200-23W-DALI-4000	CFL 2x26W	23	2400	102	19	4000	0.76
140057166	LEDDownlightRc-P-HG R200-33W-DALI-3000	CFL 2x32W	33	3360	103	22	3000	0.76
140057167	LEDDownlightRc-P-HG R200-33W-DALI-4000	CFL 2x32W	33	3500	105	22	4000	0.76
140063611	LEDDownlightRc-P-HG R150-11.5W-BLE-3000	CFL 1x18W	11.5	1150	100	19	3000	0.45
140063612	LEDDownlightRc-P-HG R150-11.5W-BLE-4000	CFL 1x18W	11.5	1200	102	19	4000	0.45
140063613	LEDDownlightRc-P-HG R200-15W-BLE-3000	CFL 1x26W	15	1600	105	19	3000	0.76
140063614	LEDDownlightRc-P-HG R200-15W-BLE-4000	CFL 1x26W	15	1660	107	19	4000	0.76
140063615	LEDDownlightRc-P-HG R200-23W-BLE-3000	CFL 2x26W	23	2350	100	19	3000	0.76
140063616	LEDDownlightRc-P-HG R200-23W-BLE-4000	CFL 2x26W	23	2400	102	19	4000	0.76
140063617	LEDDownlightRc-P-HG R200-33W-BLE-3000	CFL 2x32W	33	3360	103	22	3000	0.76
140063618	LEDDownlightRc-P-HG R200-33W-BLE-4000	CFL 2x32W	33	3500	105	22	4000	0.76

Available on request with 5- or 2+3 pole Wieland GST18i connector. Emergency lighting available on request. BLE versions are not compatible with surface module accessories.

Accessories



140060646
LEDDownlightRc-P-HZ-Adapter-150-175

140060647
LEDDownlightRc-P-SI-E-Adapter-200-225

140060648
LEDDownlightRc-P-SI-E-Adapter-200-250



140061242
LEDDownlightRc-P-R150-Surface-Module-WH

140061243
LEDDownlightRc-P-R200-Surface-Module-WH

For adapter ring dimensional drawings see LED Downlight Slim EcoMax (p.22).

Technical Specifications

Lifespan (L70B50)	60,000 h
Lifespan (L80B50)	40,000 h
On-/Off-cycles	100,000
Colour consistency (SDCM)	4
Dimmable	No / Yes (DALI/BLE)
Beam angle	70 °
Finishing	White RAL9003
Colour rendering index CRI	≥ 80
Degree of protection (IP)	IP44
IP recessed part	IP20
Impact strength	IK02
Protection class	II
Risk group	RG0 / RG1 (23W & 33W)
Control gear included	Yes
Glow wire test	650 °C
Driver failure rate (at 5,000 hrs)	1 %
Power factor	≥ 0.90

Electrical Supply

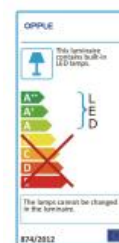
Frequency	50/60 Hz
Nominal voltage	220-240 V AC
DC input voltage	Yes, see Appendix 2

Mechanical Properties

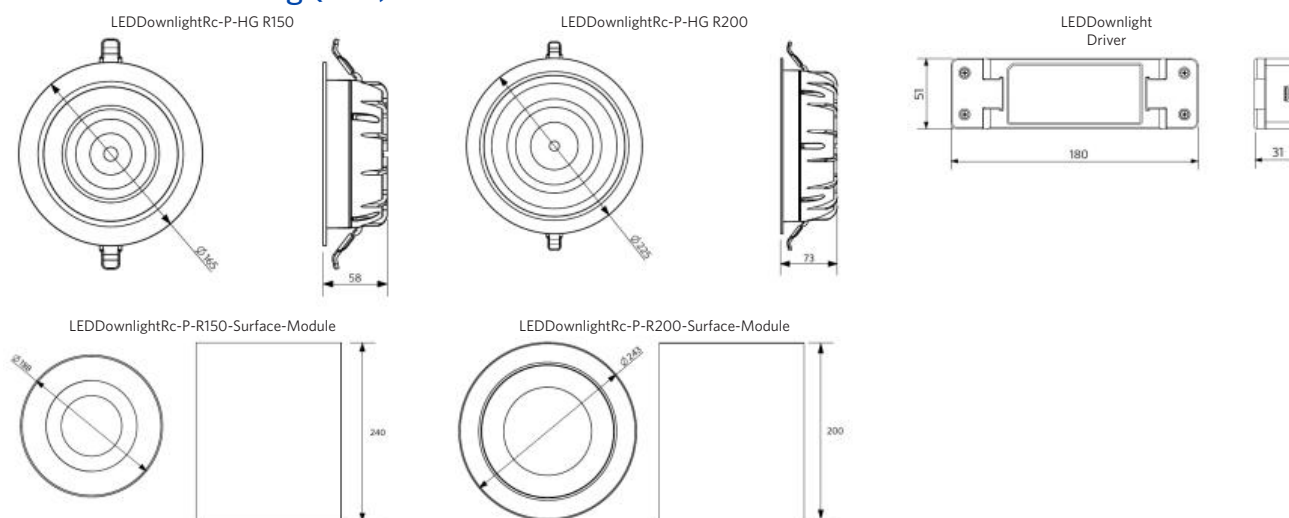
Material housing	Die-casted Aluminum
Optical material	Aluminum coated PC

Ambient Conditions

Operating temperature	-10 ~ 40 °C
Application temperature	25 °C
Storage environment	-25 ~ 50 °C



Dimensional Drawing (mm)



Installation Opening Drawing (mm)

